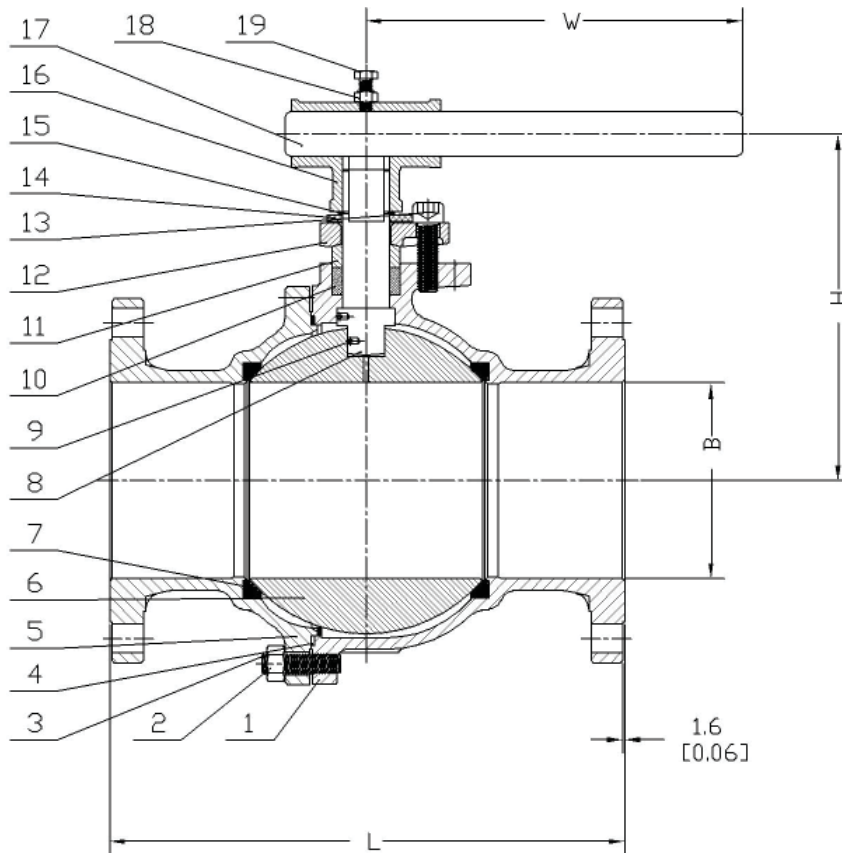


4F1 Series Cast Steel Ball Valve Full Port



PRESSURE CLASS:
FLANGED – 150

CONNECTIONS:
FLANGED – ASME B16.5
ASME B16.10

STANDARDS DESIGN:
API 6D, API 608
API 607/API 6FA
ASME B16.34

TESTING:
API 598

DIMENSIONS						
SIZE		L	B	H	W	Weight Lbs/Kg
2	Inch	7.00	1.97	4.5	9.18	20.9
	mm	178	50	114.3	233.2	9.5
3	Inch	8.00	3.00	6.40	10.50	41.9
	mm	203	76	162.5	266.7	19
4	Inch	9.00	3.94	7.87	8.87	72.8
	mm	229	100.1	200	225	33
6	Inch	15.50	5.94	10.44	31.50	172.0
	mm	394	150.9	265.4	800	78
8	Inch	18.00	7.94	13.62	GO	286.6
	mm	457	201.7	345	GO	130

MATERIAL SPECIFICATIONS				
NO.	Part Name	Carbon Steel/304	Stainless Steel/316	LCC/304
1	Body	A216 Gr. WCB	A 351 Gr. CF8M	A351 Gr. LCC
2	Body Nut	A194 Gr. 2H	A194 Gr. 8M	A194 Gr. 4
3	Body Stud	A193 Gr. B7	A193 Gr. B8	A193 Gr. L7M
4	Body Stud	A193 Gr. B7	A193 Gr. B8	A193 Gr. B7
5	Retainer	A216 Gr. WCB	A 351 Gr. CF8M	A351 Gr. LCC
6	Ball	A276 Gr. 304	A276 Gr. 316	A276 Gr. 304
7	Seat	P.T.F.E.	P.T.F.E.	P.T.F.E.
8	Stem	A182 Gr. F304	A182 Gr. F316	A182 Gr. F304
9	Anti-Static Device	304 SST	316 SST	304 SST
10	Packing	Graphite	Graphite	Graphite
11	Gland	A276 Gr. 304	A276 Gr. 316	A276 Gr. 304
12	Gland Plate	A216 Gr. WCB	A 351 Gr. CF8M	A351 Gr. WCB
13	Screw	A193 Gr. B7	A193 Gr. B8	A193 Gr. B7
14	Stop Plate	ASTM A570	ASTM A570	ASTM A570
15	Washer	304 SST	316 SST	304 SST
16	Handle Adaptor	A216 Gr. WCB	A216 Gr. WCB	A216 Gr. WCB
17	Handle	ASTM A570	ASTM A570	ASTM A570
18	Nut	A194 Gr. 2H	A194 Gr. 8M	A194 Gr. 2H
19	Bolt	A193 Gr. B7	A193 Gr. B8	A193 Gr. B7

NOTE:
COMPONENTS MAY CHANGE ACCORDING TO VALVE SIZE. CONTACT
BERIC FOR CERTIFIED DRAWINGS.

ADDITIONAL VALVE BODY AND TRIM MATERIALS AVAILABLE.

(713) 673-2073 - Fax (713) 673-4641 - Toll Free (866) GO-BERIC (462-3742)

www.bericvalves.com

Rev. 010113

Copyright 2013

Page 2BV