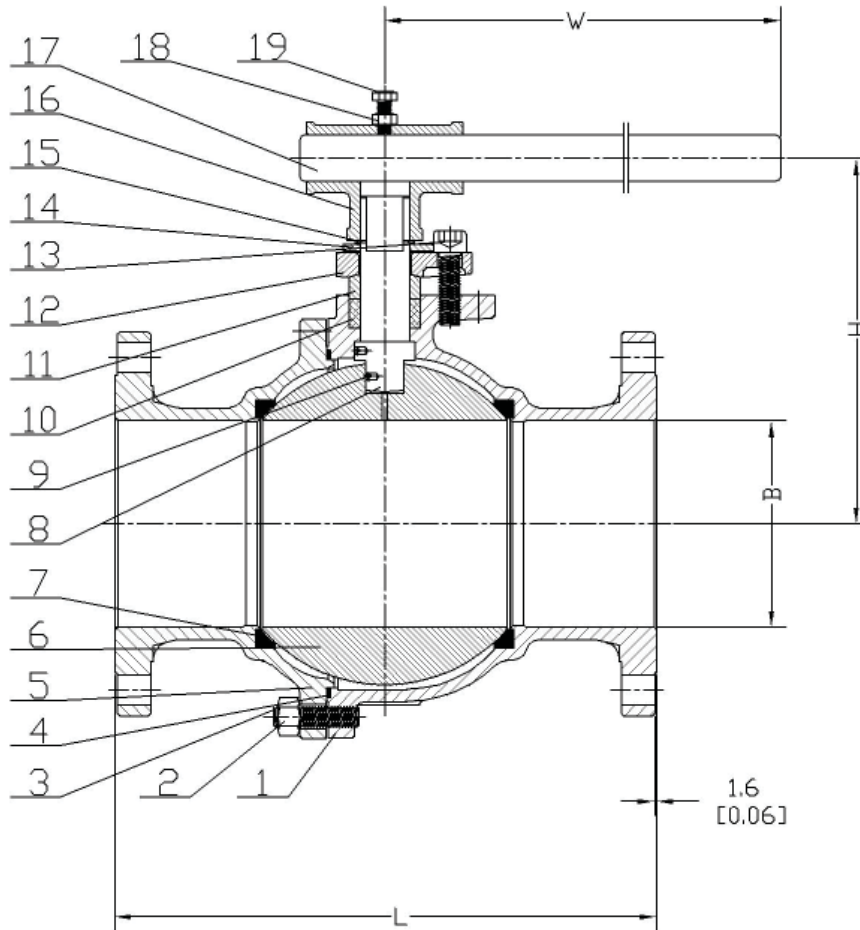


## 4F3 Series Cast Steel Ball Valve Full Port



### STANDARDS

#### DESIGN:

API 6D, API 608  
API 607/API 6FA  
ASME B16.34

#### TESTING:

API 598

#### PRESSURE CLASS:

FLANGED - 300

#### CONNECTIONS:

FLANGED - ASME B16.5  
ASME B16.10

DIMENSIONS						
SIZE		L	B	H	W	Weight Lbs/Kg
2	Inch	8.50	1.97	5.43	15.75	33.10
	mm	216	50	138	400	15
3	Inch	11.12	3.00	6.89	17.72	77.2
	mm	282	76	175	450	35
4	Inch	12.00	3.94	7.87	17.72	123.5
	mm	305	100	200	500	56
6	Inch	15.88	5.98	9.06	19.68	220.5
	mm	403	152	230	300	100
8	Inch	19.75	8.00	11.42	15.75	352.7
	mm	502	203	290	400	160

**NOTE:**

COMPONENTS MAY CHANGE ACCORDING TO VALVE SIZE.  
CONTACT BERIC FOR CERTIFIED DRAWINGS.

ADDITIONAL VALVE BODY AND TRIM MATERIALS AVAILABLE.

MATERIAL SPECIFICATIONS				
NO.	Part Name	Carbon Steel/304	Stainless Steel/316	LCC/304
1	Body	A216 Gr. WCB	A 351 Gr. CF8M	A351 Gr. LCC
2	Body Nut	A194 Gr. 2H	A194 Gr. 8A	A194 Gr.4
3	Body Bolt	A193 Gr. B7	A193 Gr. B8M	A193 Gr. L7M
4	Gasket	304/Graphite	316/Graphite	304/Graphite
5	Retainer	A216 Gr. WCB	A 351 Gr. CF8M	A351 Gr. LCC
6	Ball	A276 Gr. 304	A276 Gr. 316	A276 Gr. 304
7	Seat	PTFE	PTFE	PTFE
8	Stem	A276 Gr. 304	A276 Gr. 316	A276 Gr. 304
9	Anti Static Device	304SS	304SS	304SS
10	Packing	Graphite	Graphite	Graphite
11	Gland	A276 Gr. 304	A276 Gr. 316	A276 Gr. 304
12	Gland Plate	A216 Gr. WCB	A 351 Gr. CF8M	A216 Gr. WCB
13	Bolt	A193 Gr. B7	A193 Gr. B8M	A193 Gr. B7
14	Stop Plate	A570 Gr. 45	316SS	A570 Gr. 45
15	Washer	304SS	316SS	304SS
16	Handle Adaptor	A216 Gr. WCB	A216 Gr. WCB	A216 Gr. WCB
17	Handle	A570	A570	A570
18	Nut	A194 Gr. 2H	A194 Gr. 8A	A194 Gr. 2H
19	Bolt	A193 Gr. B7	A193 Gr. B8M	A193 Gr. B7

(713) 673-2073 - Fax (713) 673-4641 - Toll Free (866) GO-BERIC (462-3742)

www.bericvalves.com

Rev. 010113

Copyright 2013

Page 4BV