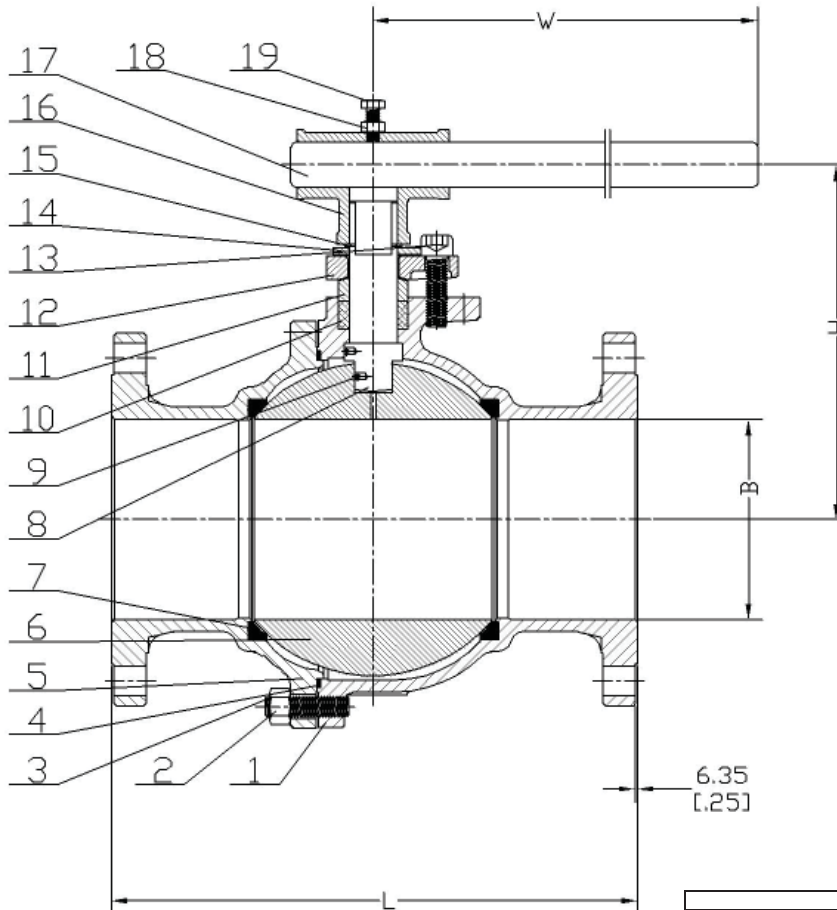


4F6 Series Cast Steel Ball Valve Full Port



STANDARDS

DESIGN:

API 6D, API 608
API 607/API 6FA
ASME B16.34

TESTING:

API 598

PRESSURE CLASS:

FLANGED - 600

CONNECTIONS:

FLANGED - ASME B16.5
ASME B16.10

DIMENSIONS						
SIZE		L	B	H	W	Weight Lbs/Kg
2	Inch	11.50	1.97	5.70	17.70	58.4
	mm	292	50	145	450	26.5
3	Inch	14.00	3.00	5.90	17.70	112.4
	mm	356	76	150	450	51
4	Inch	17.00	3.94	9.10	21.30	165.3
	mm	432	100	230	540	75

NOTE:
COMPONENTS MAY CHANGE ACCORDING TO VALVE SIZE.
CONTACT BERIC FOR CERTIFIED DRAWINGS.

ADDITIONAL VALVE BODY AND TRIM MATERIALS
AVAILABLE.

MATERIAL SPECIFICATIONS				
NO.	Part Name	Carbon Steel/304	Stainless Steel/316	LCC/304
1	Body	A216 Gr. WCB	A 351 Gr. CF8M	A351 Gr. LCC
2	Body Nut	A194 Gr. 2H	A194 Gr. 8A	A194 Gr. 4
3	Body Bolt	A193 Gr. B7	A193 Gr. B8M	A193 Gr. L7M
4	Gasket	304/Graphite	316/Graphite	304/Graphite
5	Retainer	A216 Gr. WCB	A 351 Gr. CF8M	A351 Gr. LCC
6	Ball	A276 Gr. 304	A276 Gr. 316	A276 Gr. 304
7	Seat	PTFE	PTFE	PTFE
8	Stem	A276 Gr. 304	A276 Gr. 316	A276 Gr. 304
9	Anti Static Device	304SS	304SS	304SS
10	Packing	Graphite	Graphite	Graphite
11	Gland	A276 Gr. 304	A276 Gr. 316	A276 Gr. 304
12	Gland Plate	A216 Gr. WCB	A 351 Gr. CF8M	A216 Gr. WCB
13	Bolt	A193 Gr. B7	A193 Gr. B8M	A193 Gr. B7
14	Stop Plate	A570 Gr. 45	316SS	A570 Gr. 45
15	Washer	304SS	316SS	304SS
16	Handle Adaptor	A216 Gr. WCB	A216 Gr. WCB	A216 Gr. WCB
17	Handle	A570	A570	A570
18	Nut	A194 Gr. 2H	A194 Gr. 8A	A194 Gr. 2H
19	Bolt	A193 Gr. B7	A193 Gr. B8M	A193 Gr. B7

(713) 673-2073 - Fax (713) 673-4641 - Toll Free (866) GO-BERIC (462-3742)

www.bericvalves.com

Rev. 010113

Copyright 2013

Page 6BV