

8F1 Series Cast Steel Ball Valve

Full Port - Trunnion Mount

STANDARDS

DESIGN:

API 6D, API 608
API 607/API 6FA
ASME B16.34

TESTING:

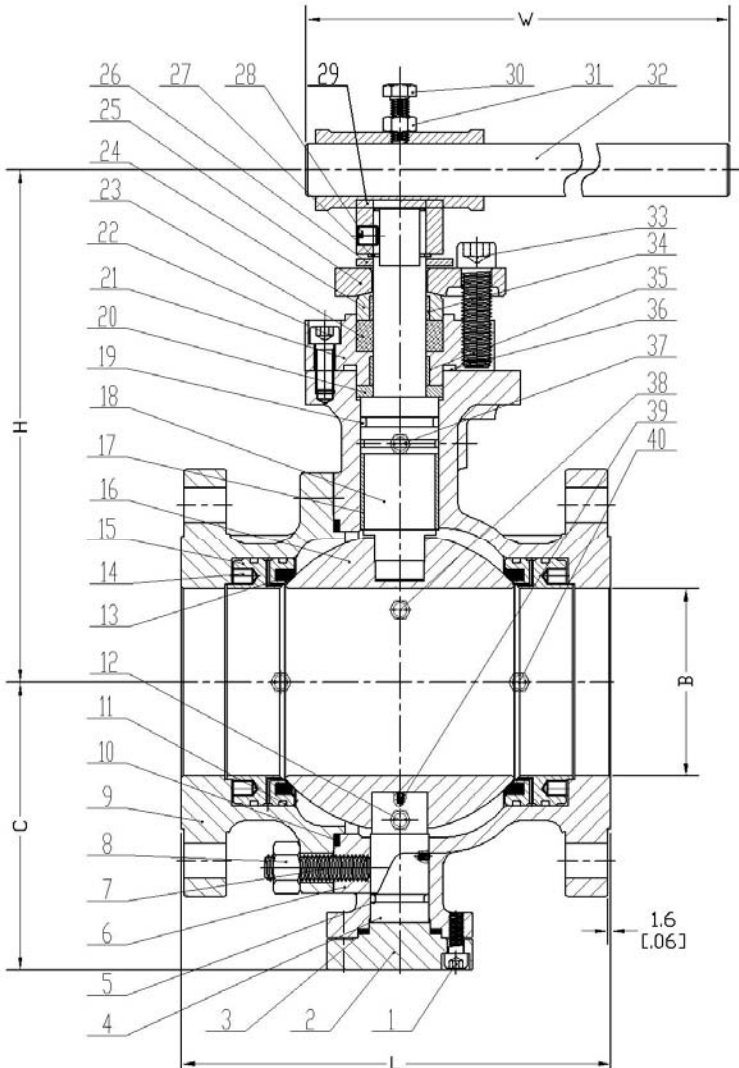
API 598

PRESSURE CLASS:

FLANGED - 150

CONNECTIONS:

FLANGED - ASME B16.5
ASME B16.10



NOTE:
COMPONENTS MAY CHANGE ACCORDING TO VALVE SIZE.
CONTACT BERIC FOR CERTIFIED DRAWINGS.

ADDITIONAL VALVE BODY AND TRIM MATERIALS
AVAILABLE.

MATERIAL SPECIFICATIONS				
NO.	Part Name	Carbon Steel/304	Stainless Steel/316	LCC/304
1	Screw	A193 Gr. B7	A193 Gr. B8	A193 Gr. B7
2	End Cap	A105N	A182 Gr. F316	A350 Gr. LF2
3	Gasket	316/Graphite	316/Graphite	316/Graphite
4	Bottom Stem	A182 Gr. F304	A182 Gr. F316	A182 Gr. F304
5	O-Ring	Viton	Viton	Viton
6	Body	A216 Gr. WCB	A 351 Gr. CF8M	A351 Gr. LCC
7	Body Stud	A193 Gr. B7	A193 Gr. B8	A193 Gr. L7M
8	Body Nut	A194 Gr. 2H	A194 Gr. 8M	A194 Gr. 4
9	Retainer	A216 Gr. WCB	A 351 Gr. CF8M	A351 Gr. LCC
10	Gasket	316/Graphite	316/Graphite	316/Graphite
11	O-Ring	Viton	Viton	Viton
12	Plug	Carbon Steel	316 SST	Carbon Steel
13	Seal Ring	PTFE	PTFE	PTFE
14	Spring	Inconel X-750	Inconel X-750	Inconel X-750
15	Pressure Plate	A182 Gr. F304	A182 Gr. F316	A182 Gr. F304
16	Ball	A182 Gr. F304	A182 Gr. F316	A182 Gr. F304
17	Bearing	316/PTFE	316/PTFE	316/PTFE
18	Stem	A182 Gr. F304	A182 Gr. F316	A182 Gr. F304
19	O-Ring	Viton	Viton	Viton
20	Washer	A182 Gr. F304	A182 Gr. F316	A182 Gr. F304
21	Packing Chamber	A182 Gr. F304	A182 Gr. F316	A182 Gr. F304
22	Screw	A193 Gr. B7	A193 Gr. B8	A193 Gr. B7
23	Packing	Graphite	Graphite	Graphite
24	Gland	A276 Gr. 304	A276 Gr. 316	A276 Gr. 304
25	Gland Flange	A216 Gr. WCB	A216 Gr. WCB	A216 Gr. WCB
26	Stop Plate	304 SST	316 SST	304 SST
27	Washer	304 SST	316 SST	304 SST
28	Screw	A193 Gr. B7	A193 Gr. B8	A193 Gr. B7
29	Handle Adaptor	A216 Gr. WCB	A 351 Gr. CF8M	A216 Gr. WCB
30	Screw	A193 Gr. B7	A193 Gr. B8	A193 Gr. B7
31	Nut	A194 Gr. 2H	A194 Gr. 8M	A194 Gr. 2H
32	Handle	A570 Gr. A	A570 Gr. A	A570 Gr. A
33	Screw	A193 Gr. B7	A193 Gr. B8	A193 Gr. B7
34	Bearing	316/PTFE	316/PTFE	316/PTFE
35	Bearing	316/PTFE	316/PTFE	316/PTFE
36	Gasket	304/Graphite	316/Graphite	304/Graphite
37	Grease Fitting	Carbon Steel	316 SST	Carbon Steel
38	Vent Fitting	Carbon Steel	316 SST	Carbon Steel
39	Anti-Static Device	304 SST	316 SST	304 SST
40	Grease Fitting	Carbon Steel	316 SST	Carbon Steel

DIMENSIONS							
SIZE		L	B	C	H	W	Weight Lbs/Kg
2	Inch	7.00	1.97	3.94	7.09	10.63	66.1
	mm	178	50.0	100.0	180.0	270.0	30
3	Inch	8.00	3.00	5.10	7.90	10.63	110.2
	mm	203	76.0	130	200	270.0	50
4	Inch	9.00	3.94	6.06	9.96	17.72	198.4
	mm	229	100.1	154.0	253.0	450.0	90
6	Inch	15.50	5.94	8.00	20.55	GO	447.5
	mm	394	150.9	203.3	522.0	GO	203
8	Inch	18.00	7.94	9.10	13.40	GO	637.1
	mm	457	201.7	230	340	GO	289
10	Inch	21.00	9.92	12.02	28.92	GO	992.1
	mm	533	252.0	305.3	734.6	GO	450
12	Inch	24.00	11.93	13.99	24.00	GO	1296.3
	mm	610	303.0	355.3	609.4	GO	588

(713) 673-2073 - Fax (713) 673-4641 - Toll Free (866) GO-BERIC (462-3742)

www.bericvalves.com

Rev. 010113

Copyright 2013

Page 7BV