

8F1 Series Forged Steel Ball Valve

Full Port - Trunnion Mount

STANDARDS

DESIGN:

API 6D, API 608
API 607/API 6FA
ASME B16.34

TESTING:

API 598

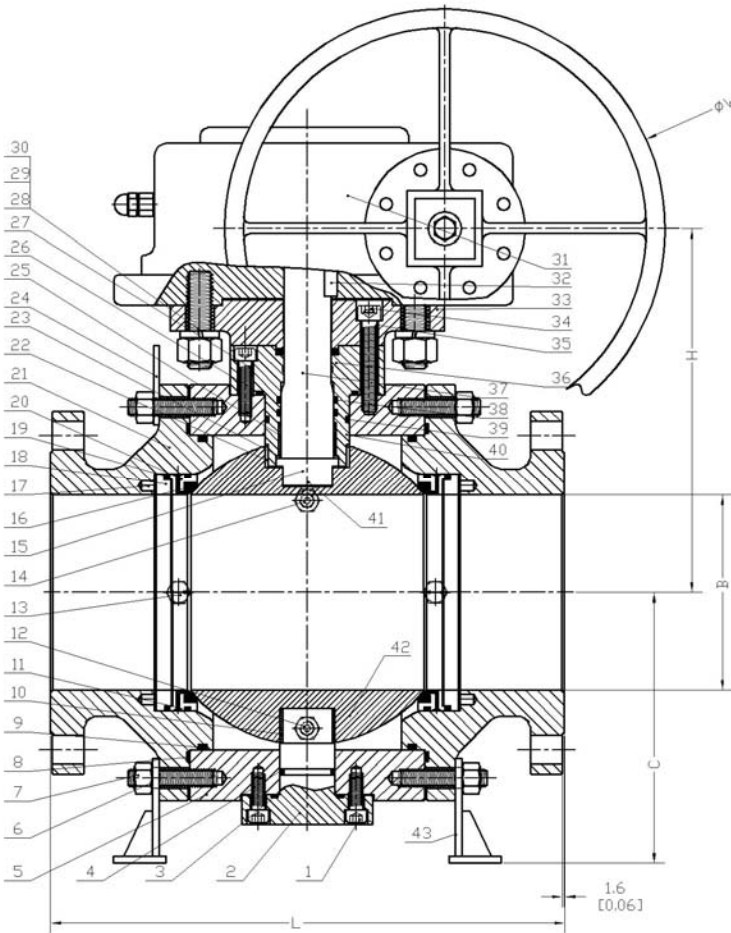
PRESSURE CLASS:

FLANGED - 150

CONNECTIONS:

FLANGED - ASME
B16.5

ASME B16.10



NOTE:
COMPONENTS MAY CHANGE ACCORDING TO VALVE SIZE.
CONTACT BERIC FOR CERTIFIED DRAWINGS.

ADDITIONAL VALVE BODY AND TRIM MATERIALS
AVAILABLE.

MATERIAL SPECIFICATIONS				
NO.	Part Name	Carbon Steel/304	Stainless Steel/316	LF2/304
1	Screw	A193 Gr. B7	A193 Gr. B8	A193 Gr. B7
2	Bottom Cover	A105N/ENP	A182 Gr. F316	A350 Gr. LF2
3	Gasket	304/Graphite	316/Graphite	304/Graphite
4	O-Ring	Viton	Viton	Viton
5	Body	A105N	A182 Gr. F316	A350 Gr. LF2
6	Nut	A194 Gr. 2H	A194 Gr. 8M	A194 Gr. 4
7	Body Stud	A193 Gr. B7	A193 Gr. B8	A193 Gr. L7M
8	Gasket	304/Graphite	316/Graphite	304/Graphite
9	O-Ring	Viton	Viton	Viton
10	Bearing	316/PTFE	316/PTFE	316/PTFE
11	O-Ring	Viton	Viton	Viton
12	Drain Valve	Carbon Steel	316 SST	Carbon Steel
13	Grease Fitting	Carbon Steel	316 SST	Carbon Steel
14	Vent Valve	Carbon Steel	316 SST	Carbon Steel
15	Stem	A182 Gr. F304	A182 Gr. F316	A182 Gr. F304
16	Seat	PTFE	PTFE	PTFE
17	Spring	Inconel X-750	Inconel X-750	Inconel X-750
18	Pressure Plate	A182 Gr. F304	A182 Gr. F316	A182 Gr. F304
19	Seal Ring	Graphite	Graphite	Graphite
20	Seat Holder	A182 Gr. F304	A182 Gr. F316	A182 Gr. F304
21	Retainer	A105N	A182 Gr. F316	A350 Gr. LF2
22	Bearing	316/PTFE	316/PTFE	316/PTFE
23	Washer	PTFE	PTFE	PTFE
24	Lifting Eye	Carbon Steel	316 SST	Carbon Steel
25	Bearing	316/PTFE	316/PTFE	316/PTFE
26	Gasket	304/Graphite	316/Graphite	316/Graphite
27	Screw	A193 Gr. B7	A193 Gr. B8	A193 Gr. B7
28	Nut	A194 Gr. 2H	A194 Gr. 8M	A194 Gr. 2H
29	Bolt	A193 Gr. B7	A193 Gr. B8	A193 Gr. B7
30	Spring Washer	AISI 1066	AISI 316	ASI 1066
31	Gear Operator			
32	Key	1045	1045	1045
33	Stop Pad	A105N	A182 Gr. F316	A105N
34	Straight Pin	304	316	316
35	Screw	A193 Gr. B7	A193 Gr. B8	A193 Gr. B7
36	Packing	Graphite	Graphite	Graphite
37	Grease Fitting	316 SST	316 SST	316 SST
38	O-Ring	Viton	Viton	Viton
39	O-Ring	Viton	Viton	Viton
40	Stem Retainer	A105N	A182 Gr. F316	A350 Gr. LF2
41	Anti-Static Device	SS316	SS316	SS316
42	Ball	A182 Gr. F304	A182 Gr. F316	A182 Gr. F304
43	Support Foot	ASTM A570	ASTM A570	ASTM A570

DIMENSIONS							
SIZE		L	B	C	H	W	Weight Lbs/Kg
2	Inch	7.00	1.97	3.94	7.09	10.63	66.1
	mm	178	50.0	100.0	180.0	270.0	30
3	Inch	8.00	3.00	5.10	7.90	10.63	110.2
	mm	203	76.0	130	200	270.0	50
4	Inch	9.00	3.94	6.06	9.96	17.72	216.0
	mm	229	100.1	154.0	253.0	450.0	98
6	Inch	15.50	5.91	8.00	20.55	GO	447.5
	mm	394	150	203.3	522.0	GO	203
8	Inch	18.00	7.94	9.10	13.40	GO	637.1
	mm	457	201.0	230	340	GO	289
10	Inch	21.00	9.92	12.02	28.92	GO	992.1
	mm	533	252.0	305.3	734.6	GO	450
12	Inch	24.00	11.93	13.99	24.00	GO	1296.3
	mm	610	303.0	355.3	609.4	GO	588

(713) 673-2073 - Fax (713) 673-4641 - Toll Free (866) GO-BERIC (462-3742)

www.bericvalves.com

Rev. 010113

Copyright 2013

Page 8BV