

8F6 Series Cast Steel Ball Valve Full Port - Trunnion Mount

STANDARDS

DESIGN:

API 6D, API 608
API 607/API 6FA
ASME B16.34

PRESSURE CLASS:

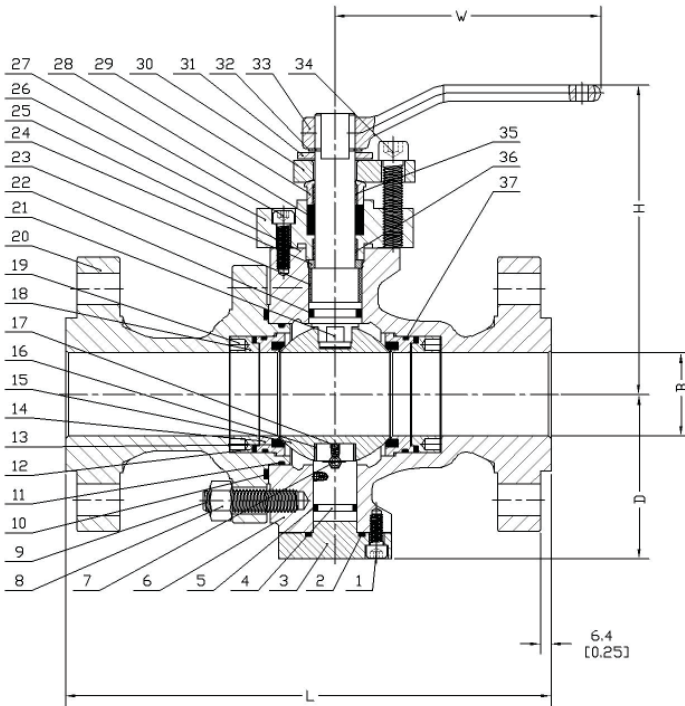
FLANGED - 600

TESTING:

API 598

CONNECTIONS:

FLANGED - ASME B16.5
ASME B16.10



SIZE	DIMENSIONS						Weight Lbs/Kg
		L	B	D	H	W	
2	Inch	11.50	1.97	3.89	7.34	10.50	70.5
	mm	292	50	99	186.4	267	32
4	Inch	17.00	3.94	7.22	12.06	21.38	233.7
	mm	432	100	183	306.0	543	106
6	Inch	22.0	5.91	8.25	18.00	GO	573.2
	mm	559	150	208	457.6	GO	260
8	Inch	26.0	7.91	10.43	19.68	GO	1047.2
	mm	660	201	265	499	GO	475

NO.	Part Name	MATERIAL SPECIFICATIONS		
		Carbon Steel/304	Stainless Steel/316	LCC/304
1	Screw	A193 Gr. B7M	A193 Gr. B8	A193 Gr. B7M
2	Spiral Wound Gasket	304/Graphite	316/Graphite	316/Graphite
3	Cap	A105	A182 Gr. F316	A105
4	Bottom Stem	A276 Gr. F304	A276 Gr. F316	A276 Gr. F304
5	O-RING	Viton	Viton	Viton
6	Body	A216 Gr. WCB	A 351 Gr. CF8M	A351 Gr. LCC
7	Drain Plug	Carbon Steel	316 SS	Carbon Steel
8	Body Nut	A194 Gr. 2HM	A194 Gr. 8M	A194 Gr. 4
9	Body Stud	A193 Gr. B7M	A193 Gr. B8	A193 Gr. L7M
10	Spiral Wound Gasket	304/Graphite	316/Graphite	304/Graphite
11	O-RING	Viton	Viton	Viton
12	Seal Ring	Graphite	Graphite	Graphite
13	Seat	Nylon	Nylon	Nylon
14	Seat Holder	A276 Gr. F304	A276 Gr. F316	A276 Gr. F304
15	Ball	A276 Gr. 304	A276 Gr. 316	A276 Gr. 304
16	Bearing	316/P.T.F.E.	316/P.T.F.E.	316/P.T.F.E.
17	Anti-Static Device	316 SS	316 SS	316 SS
18	Pressure Ring	A276 Gr. 304	A276 Gr. 316	A276 Gr. 304
19	Spring	Inconel X-750	Inconel X-750	Inconel X-750
20	Retainer	A216 Gr. WCB	A 351 Gr. CF8M	A351 Gr. LCC
21	Stem	A276 Gr. F304	A276 Gr. F316	A276 Gr. F304
22	O-RING	Viton	Viton	Viton
23	Bearing	316/P.T.F.E.	316/P.T.F.E.	316/P.T.F.E.
24	Washer	A276 Gr. F304	A276 Gr. F316	A276 Gr. F304
25	Spiral Wound Gasket	316/Graphite	316/Graphite	304/Graphite
26	Packing Chamber	A105	A182 Gr. F316	A105
27	Screw	A193 Gr. B7M	A193 Gr. B8	A193 Gr. B7M
28	Packing	Graphite	Graphite	Graphite
29	Gland Flange	A276 Gr. 304	A276 Gr. 316	A276 Gr. 304
30	Gland Flange	A216 Gr. WCB	A216 Gr. WCB	A216 Gr. WCB
31	Stop Plate	A570 Gr. A	A570 Gr. A	A570 Gr. A
32	Washer	AISI 1066	AISI 1066	AISI 1066
33	Lever	A216 Gr. WCB	A216 Gr. WCB	A216 Gr. WCB
34	Screw	A193 Gr. B7M	A193 Gr. B8	A193 Gr. B7M
35	Bearing	316 SS/PTFE	316 SS/PTFE	316 SS/PTFE
36	Bearing	316/P.T.F.E.	316/P.T.F.E.	316/P.T.F.E.
37	O-RING	Viton	Viton	Viton

NOTE:

COMPONENTS MAY CHANGE ACCORDING TO VALVE SIZE.
CONTACT BERIC FOR CERTIFIED DRAWINGS.

ADDITIONAL VALVE BODY AND TRIM MATERIALS AVAILABLE.

(713) 673-2073 - Fax (713) 673-4641 - Toll Free (866) GO-BERIC (462-3742)

www.bericvalves.com

Rev. 010113

Copyright 2013

Page 11BV