

8F6 Series Forged Steel Ball Valve Full Port - Trunnion Mount

STANDARDS

DESIGN:

API 6D, API 608
API 607/API 6FA
ASME B16.34

TESTING:

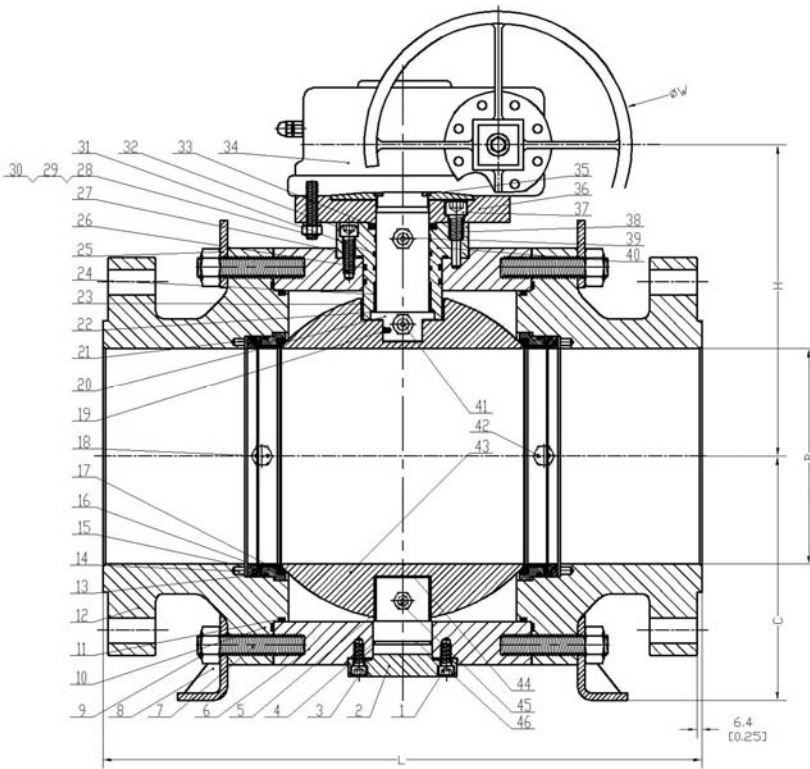
API 598

PRESSURE CLASS:

FLANGED - 600

CONNECTIONS:

FLANGED - ASME B16.5
ASME B16.10



SIZE	DIMENSIONS				Weight Lbs/Kg	
		L	B	C		H
2	Inch	11.50	1.97	4.41	6.12	
	mm	292.0	50.0	112.0	155.0	
3	Inch	14.37	3.00	5.71	8.09	
	mm	356.0	76.0	145.0	205.0	
4	Inch	17.00	3.94	6.31	9.45	
	mm	432.0	100.0	160.0	240.0	
6	Inch	22.0	5.91	7.87	9.41	
	mm	559.0	150.0	200.0	239.0	
8	Inch	26.0	7.91	11.81	14.33	
	mm	660.0	201.0	300.0	364.0	
10	Inch	31.00	9.92	12.80	16.56	
	mm	787.0	252.0	325.0	420.0	
12	Inch	33.00	11.93	13.94	18.68	
	mm	838.0	303.0	354.0	474.0	
14	Inch	35.00	13.26	17.00	19.69	
	mm	889.0	337.0	432.0	500.0	
16	Inch	39.00	15.16	17.32	21.03	
	mm	991.0	385.0	440.0	534.0	

MATERIAL SPECIFICATIONS				
NO.	Part Name	Carbon Steel/304	Stainless Steel/316	LF2/304
1	Screw	A193 Gr. B7	A193 Gr. B8	A193 Gr. B7
2	Bottom Cover	A105N/ENP	A182 Gr. F316	A350 Gr. LF2
3	Gasket	304/Graphite	316/Graphite	304/Graphite
4	O-Ring	Viton	Viton	Viton
5	Bearing	316/PTFE	316/PTFE	316/PTFE
6	Body	A105N	A182 Gr. F316	A350 Gr. LF2
7	Body Stud	A193 Gr. B7	A193 Gr. B8	A193 Gr. L7M
8	Support Foot	ASTM A570	ASTM A570	ASTM A570
9	Nut	A194 Gr. 2H	A194 Gr. 8M	A194 Gr. 4
10	Gasket	304/Graphite	316/Graphite	316/Graphite
11	O-Ring	Viton	Viton	Viton
12	Retainer	A105N	A182 Gr. F316	A350 Gr. LF2
13	Seal Ring	Graphite	Graphite	Graphite
14	Spring	Inconel X-750	Inconel X-750	Inconel X-750
15	Pressure Plate	A182 Gr. F304	A182 Gr. F316	A182 Gr. F304
16	Seat Holder	A182 Gr. F304	A182 Gr. F316	A182 Gr. F304
17	Seat	PTFE	PTE	PTFE
18	Grease Fitting	Carbon Steel	316 SST	Carbon Steel
19	Anti-Static Device	SS316	SS316	SS316
20	Stem	A182 Gr. F304	A182 Gr. F316	A182 Gr. F304
21	O-Ring	Viton	Viton	Viton
22	Gasket	PTFE	PTE	PTFE
23	Bearing	316/PTFE	316/PTFE	316/PTFE
24	Bearing	316/PTFE	316/PTFE	316/PTFE
25	Lifting Eye	Carbon Steel	316 SST	Carbon Steel
26	O-Ring	Viton	Viton	Viton
27	Gasket	304/Graphite	316/Graphite	304/Graphite
28	Bolt	A193 Gr. B7	A193 Gr. B8	A193 Gr. L7M
29	Lock Washer	AISI 1066	AISI 316	ASI 1066
30	Nut	A194 Gr. 2H	A194 Gr. 8M	A194 Gr. 2H
31	O-Ring	Viton	Viton	Viton
32	Screw	A193 Gr. B7	A193 Gr. B8	A193 Gr. B7
33	Packing	Graphite	Graphite	Graphite
34	Gear Operator			
35	Key	1045	1045	1045
36	Mounting Plate	A105N	A182 Gr. F316	A350 Gr. LF2
37	Screw	A193 Gr. B7	A193 Gr. B8	A193 Gr. B7
38	Straight Pin	304	316	304
39	Grease Fitting	Carbon Steel	316 SST	Carbon Steel
40	Stem Retainer	A105N/ENP	A182 Gr. F316	A350 Gr. LF2
41	Vent Valve	Carbon Steel	316 SST	Carbon Steel
42	Check Valve	Carbon Steel	316 SST	Carbon Steel
43	Ball	A182 Gr. F304	A182 Gr. F316	A182 Gr. F304
44	Gasket	PTFE	PTE	PTFE
45	Relief Valve	Carbon Steel	316 SST	Carbon Steel
46	Lower Stem	A182 Gr. F304	A182 Gr. F316	A182 Gr. F304

NOTE:

COMPONENTS MAY CHANGE ACCORDING TO VALVE SIZE.
CONTACT BERIC FOR CERTIFIED DRAWINGS.

ADDITIONAL VALVE BODY AND TRIM MATERIALS AVAILABLE.

(713) 673-2073 - Fax (713) 673-4641 - Toll Free (866) GO-BERIC (462-3742)

www.bericvalves.com

Rev. 010113

Copyright 2013

Page 12BV