

8F9 Series Forged Steel Ball Valve Full Port - Trunnion Mount

STANDARDS

DESIGN:

API 6D, API 608
API 607/API 6FA
ASME B16.34

PRESSURE CLASS:

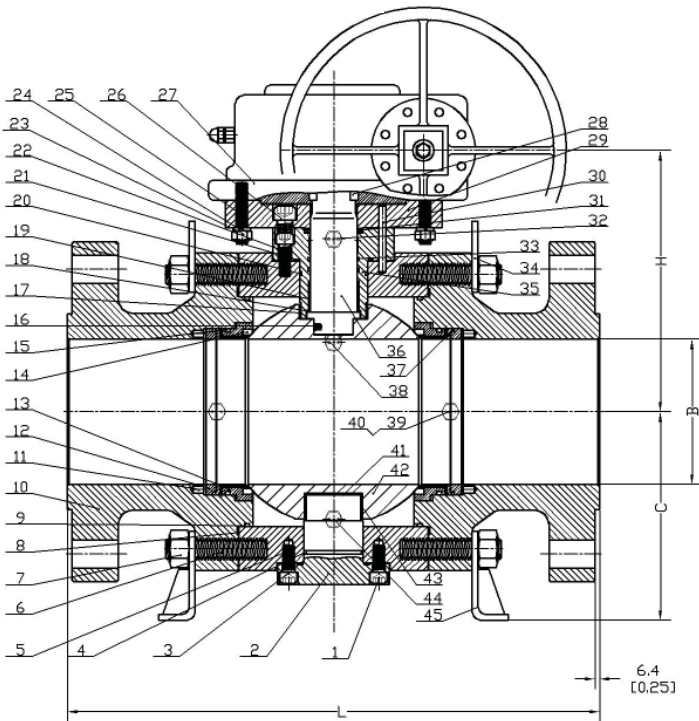
FLANGED - 900

TESTING:

API 598

CONNECTIONS:

FLANGED - ASME B16.5
ASME B16.10



SIZE	DIMENSIONS					Weight Lbs/Kg
		L	B	C	H	
2	Inch	14.50	1.93	4.30	6.93	
	mm	368.0	49.0	109.0	176.0	
3	Inch	15.00	3.00	4.90	8.11	
	mm	381.0	76.0	124.5	206.0	
4	Inch	18.00	3.94	6.14	9.84	
	mm	457.0	100.0	156.0	250.0	
6	Inch	24.00	5.91	7.68	12.36	
	mm	610.0	150.0	195.0	314.0	
8	Inch	29.00	7.91	11.36	14.25	
	mm	737.0	201.0	288.5	362.0	
10	Inch	33.00	9.84	14.53	16.25	
	mm	838.0	250.0	369.0	412.0	
12	Inch	38.00	11.93	12.84	18.19	
	mm	965.0	303.0	326.0	462.0	
14	Inch	40.50	12.68	13.70	19.68	
	mm	1029.0	322.0	348.0	500.0	
16	Inch	44.50	14.69	16.54	23.23	
	mm	1130.0	373.0	420.0	590.0	

NO.	Part Name	MATERIAL SPECIFICATIONS		
		Carbon Steel/304	Stainless Steel/316	LF2/304
1	Screw	A193 Gr. B7	A193 Gr. B8M	A193 Gr. L7
2	Lower Stem	A182 Gr. F304	A182 Gr. F316	A182 Gr. F304
3	Gasket	304/Graphite	316/Graphite	304/Graphite
4	O-Ring	Viton	Viton	Viton
5	Body	A105N	A182 Gr. F316	A350 Gr. LF2
6	Body Stud	A193 Gr. B7	A193 Gr. B8	A193 Gr. L7M
7	Nut	A194 Gr. 2H	A194 Gr. 8M	A194 Gr. 4
8	Gasket	304/Graphite	316/Graphite	304/Graphite
9	O-Ring	Viton	Viton	Viton
10	Retainer	A105N	A182 Gr. F316	A350 Gr. LF2
11	Spring	Inconel X-750	Inconel X-750	Inconel X-750
12	Pressure Plate	A182 Gr. F304L	A182 Gr. F316	A182 Gr. F304L
13	Seat Ring	A182 Gr. F304L	A182 Gr. F316	A182 Gr. F304L
14	Seat	Devlon	Devlon	Devlon
15	O-Ring	Viton	Viton	Viton
16	Antistatic Device	SS316	SS316	SS316
17	Bearing	304/PTFE	316/PTFE	316/PTFE
18	Gasket	304/Graphite	316/Graphite	304/Graphite
19	Bearing	304/PTFE	316/PTFE	304/PTFE
20	O-Ring	Viton	Viton	Viton
21	Gasket	304/Graphite	316/Graphite	304/Graphite
22	Screw	A193 Gr. B7	A193 Gr. 8M	A193 Gr. L7M
23	Screw	A193 Gr. B7	A193 Gr. 8M	A193 Gr. L7M
24	Lock Washer	AISI 1566	AISI 1566	AISI 1566
25	Bolt	A193 Gr. B7	A193 Gr. 8M	A193 Gr. L7M
26	Screw	A193 Gr. B7	A193 Gr. 8M	A193 Gr. L7M
27	Gear Operator			
28	Key	1045	1045	1045
29	Mounting Plate	A105N	A182 Gr. F316	A350 Gr. LF2
30	Stop Pin	SS304	316 SST	SS304
31	Seal Ring	Graphite	Graphite	Graphite
32	Grease Fitting	316 SST	316 SST	316 SST
33	O-Ring	Viton	Viton	Viton
34	Lifting Eye	Carbon Steel	316 SST	Carbon Steel
35	Stem Retainer	A105N	A182 Gr. F316	A350 Gr. LF2
36	Stem	A182 Gr. F304	A182 Gr. F316	A182 Gr. F304
37	Seal Ring	Graphite	Graphite	Graphite
38	Vent Valve	SS304	316 SST	SS304
39	Grease Fitting	316 SST	316 SST	316 SST
40	Check Valve	SS304	SS316	SS316
41	Bearing	304/PTFE	316/PTFE	304/PTFE
42	Ball	A182 Gr. F304	A182 Gr. F316	A182 Gr. F304
43	Bearing	304/PTFE	316/PTFE	304/PTFE
44	Vent Valve	SS304	316 SST	SS304
45	Support Foot	ASTM A570	ASTM A570	ASTM A570

NOTE:

COMPONENTS MAY CHANGE ACCORDING TO VALVE SIZE.
CONTACT BERIC FOR CERTIFIED DRAWINGS.

ADDITIONAL VALVE BODY AND TRIM MATERIALS AVAILABLE.

(713) 673-2073 - Fax (713) 673-4641 - Toll Free (866) GO-BERIC (462-3742)

www.bericvalves.com

Rev. 010113

Copyright 2013

Page 13BV