

## 8S1 Series Forged Steel Ball Valve Standard Port - Trunnion Mount

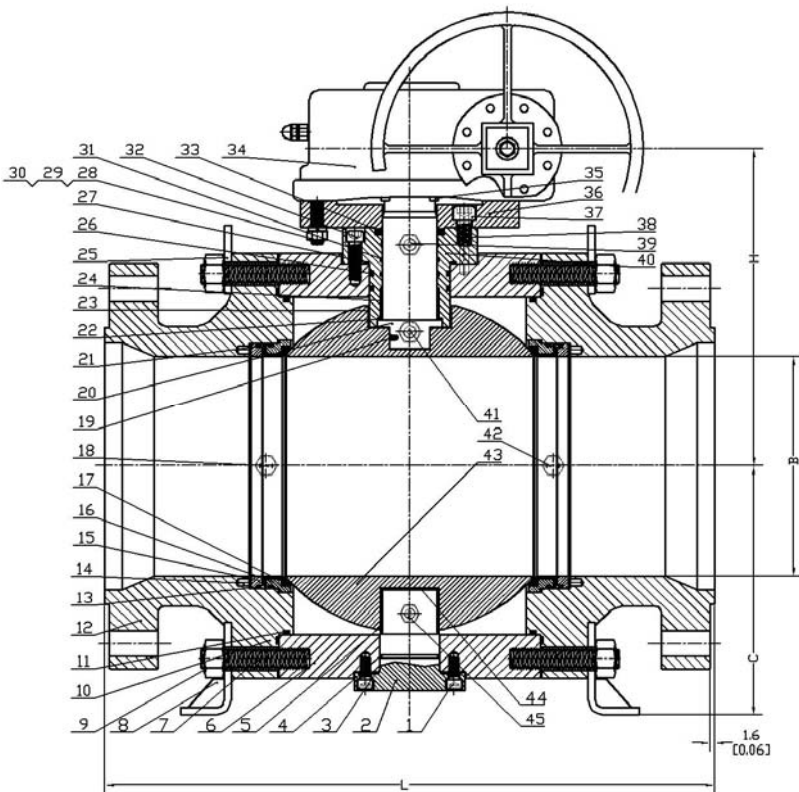
**PRESSURE CLASS:**  
FLANGED - 150

**CONNECTIONS:**  
FLANGED - ASME B16.5  
ASME B16.10

**STANDARDS  
DESIGN:**

API 6D, API 608  
API 607/API 6FA  
ASME B16.34

**TESTING:**  
API 598



| DIMENSIONS |      |       |       |       |       |                  |
|------------|------|-------|-------|-------|-------|------------------|
| SIZE       |      | L     | B     | C     | H     | Weight<br>Lbs/Kg |
| 2          | Inch | 7.00  | 1.50  | 3.00  | 5.00  | 62.0             |
|            | mm   | 178.0 | 38.0  | 76.2  | 127.0 | 28.0             |
| 3          | Inch | 8.00  | 1.97  | 3.25  | 5.37  | 77.0             |
|            | mm   | 203.0 | 50.0  | 83.0  | 136.0 | 35.0             |
| 4          | Inch | 9.00  | 3.00  | 4.34  | 6.87  | 125.5            |
|            | mm   | 229.0 | 76.0  | 110.0 | 174.0 | 57.0             |
| 6          | Inch | 15.50 | 3.94  | 5.31  | 8.06  | 233.2            |
|            | mm   | 394.0 | 100.0 | 135.0 | 205.0 | 106.0            |
| 8          | Inch | 18.00 | 5.91  | 7.00  | 10.81 | 484.0            |
|            | mm   | 457.0 | 150.0 | 178.0 | 275.0 | 220.0            |
| 10         | Inch | 21.00 | 7.88  | 10.25 | 12.43 | 754.5            |
|            | mm   | 533.0 | 200.0 | 260.0 | 315.0 | 343.0            |
| 12         | Inch | 24.00 | 9.92  | 12.62 | 11.03 | 1126.5           |
|            | mm   | 610.0 | 252.0 | 320.0 | 380.0 | 512.0            |
| 16         | Inch | 30.00 | 11.93 | 13.38 | 16.56 | 1529.0           |
|            | mm   | 762.0 | 303.0 | 340.0 | 420.0 | 695.0            |

| MATERIAL SPECIFICATIONS |                    |                  |                     |                 |
|-------------------------|--------------------|------------------|---------------------|-----------------|
| NO.                     | Part Name          | Carbon Steel/304 | Stainless Steel/316 | LF2/304         |
| 1                       | Screw              | A193 Gr. B7      | A193 Gr. B8         | A193 Gr. B7     |
| 2                       | Bottom Stem        | 4140/ENP         | A182 Gr. F316       | A350 Gr. LF2    |
| 3                       | Gasket             | 304/Graphite     | 316/Graphite        | 304/Graphite    |
| 4                       | O-Ring             | Viton            | Viton               | Viton           |
| 5                       | Bearing            | 316/PTFE         | 316/PTFE            | 316/PTFE        |
| 6                       | Body               | A105N            | A182 Gr. F316       | A350 Gr. LF2    |
| 7                       | Body Stud          | A193 Gr. B7      | A193 Gr. B8         | A193 Gr. L7M    |
| 8                       | Support Foot       | ASTM A570        | ASTM A570           | ASTM A570       |
| 9                       | Nut                | A194 Gr. 2H      | A194 Gr. 8M         | A194 Gr. 2H     |
| 10                      | Gasket             | 304/Graphite     | 316/Graphite        | 304/Graphite    |
| 11                      | O-Ring             | Viton            | Viton               | Viton           |
| 12                      | End Piece          | A105N            | A182 Gr. F316       | A350 Gr. LF2    |
| 13                      | Seal               | Graphite         | Graphite            | Graphite        |
| 14                      | Spring             | Inconel X-750    | Inconel X-750       | Inconel X-750   |
| 15                      | Pressure Plate     | A182 Gr. F304    | A182 Gr. F316       | A182 Gr. F304   |
| 16                      | Seat Holder        | A182 Gr. F304    | A182 Gr. F316       | A182 Gr. F304   |
| 17                      | Seat               | PTFE             | PTFE                | PTFE            |
| 18                      | Grease Fitting     | Carbon Steel/ZN  | 316SS               | Carbon Steel/Zn |
| 19                      | Anti-Static Device | SS316            | SS316               | SS316           |
| 20                      | Stem               | 17-4PH           | 17-4PH              | 17-4PH          |
| 21                      | O-Ring             | Viton            | Viton               | Viton           |
| 22                      | Gasket             | PTFE             | PTFE                | PTFE            |
| 23                      | Bearing            | 316/PTFE         | 316/PTFE            | 316/PTFE        |
| 24                      | Bearing            | 316/PTFE         | 316/PTFE            | 316/PTFE        |
| 25                      | Lifting Eye        | Carbon Steel     | 316 SST             | Carbon Steel    |
| 26                      | O-Ring             | Viton            | Viton               | Viton           |
| 27                      | Gasket             | 304/Graphite     | 316/Graphite        | 304/Graphite    |
| 28                      | Bolt               | A193 Gr. B7      | A193 Gr. B8         | A193 Gr. B7     |
| 29                      | Spring Washer      | AISI 1066        | AISI 316            | ASI 1066        |
| 30                      | Nut                | A194 Gr. 2H      | A194 Gr. 8M         | A194 Gr. 2H     |
| 31                      | O-Ring             | Viton            | Viton               | Viton           |
| 32                      | Screw              | A193 Gr. B7      | A193 Gr. B8         | A193 Gr. B7     |
| 33                      | Packing            | Graphite         | Graphite            | Graphite        |
| 34                      | Gear               |                  |                     |                 |
| 35                      | Key                | AISI 1045        | AISI 1045           | AISI 1045       |
| 36                      | Mounting Plate     | AISI 1025        | AISI 1025           | AISI 1025       |
| 37                      | Screw              | A193 Gr. B7      | A193 Gr. B8         | A193 Gr. B7     |
| 38                      | Straight Pin       | 304              | 316                 | 316             |
| 39                      | Grease Fitting     | Carbon Steel/ZN  | 316SS               | Carbon Steel/Zn |
| 40                      | Stem Box           | A105N            | A182 Gr. F316       | A350 Gr. LF2    |
| 41                      | Relief Valve       | Carbon Steel/ZN  | 316SS               | Carbon Steel/Zn |
| 42                      | Check Valve        | Carbon Steel/ZN  | 316SS               | Carbon Steel/Zn |
| 43                      | Ball               | A182 Gr. F304    | A182 Gr. F316       | A182 Gr. F304   |
| 44                      | Gasket             | PTFE             | PTFE                | PTFE            |
| 45                      | Relief Valve       | Carbon Steel/ZN  | 316SS               | Carbon Steel/Zn |

**NOTE:**  
COMPONENTS MAY CHANGE ACCORDING TO VALVE SIZE.  
CONTACT BERIC FOR CERTIFIED DRAWINGS.

ADDITIONAL VALVE BODY AND TRIM MATERIALS AVAILABLE.

(713) 673-2073 - Fax (713) 673-4641 - Toll Free (866) GO-BERIC (462-3742)

www.bericvalves.com

Rev. 010113

Copyright 2013

Page 16BV