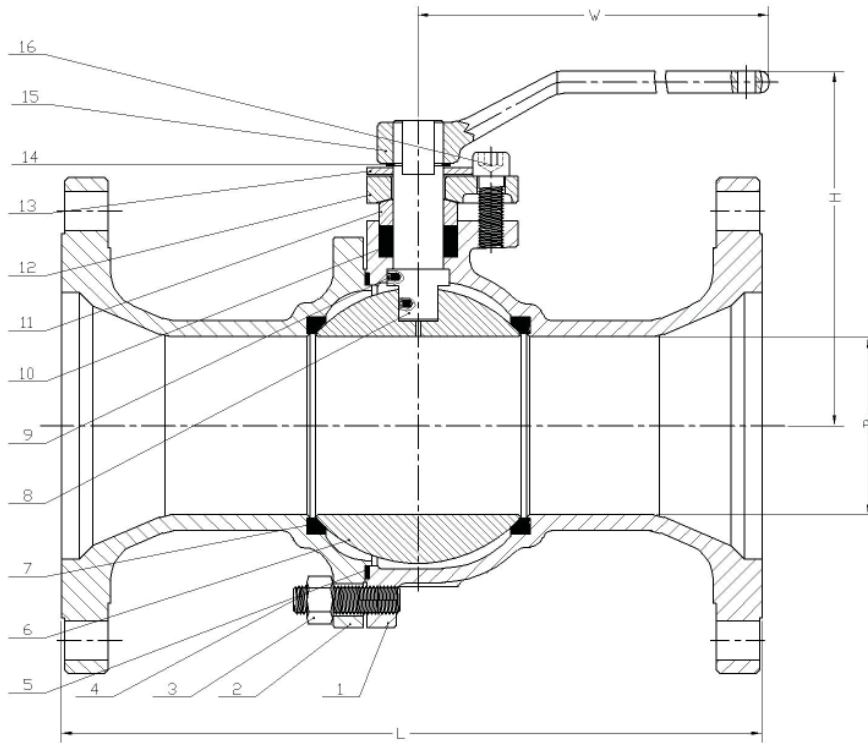


## 4S1 Series Cast Steel Ball Valve Standard Port



**DESIGN:**

API 6D  
API 607/API 6FA  
ASME B16.34

**TESTING:**

API 598

**PRESSURE CLASS:**

FLANGED – 150

**CONNECTIONS:**

FLANGED – ASME B16.5  
ASME B16.10

DIMENSIONS						
SIZE		L	B	H	W	Weight Lbs/Kg
2	Inch	7.00	1.50	5.20	7.50	20.9
	mm	178	38	132	190.0	9.5
3	Inch	8.00	1.97	4.28	9.25	41.9
	mm	203	50.0	108.7	234	19
4	Inch	9.00	3.00	6.89	6.40	72.8
	mm	229	76.0	175	162.5	33
6	Inch	15.50	3.94	7.85	8.75	127.9
	mm	394	100.0	199.5	222.0	58
8	Inch	18.00	5.91	12.37	29.0	205.0
	mm	457.0	150.0	314	738.0	93
10	Inch	21.00	7.87	N/A	GO	352.7
	mm	533	200	N/A	GO	160

MATERIAL SPECIFICATIONS				
NO.	Part Name	Carbon Steel/304	Stainless Steel/316	LCC/304
1	Body	A216 Gr. WCB	A 351 Gr. CF8M	A351 Gr. LCC
2	Retainer	A216 Gr. WCB	A 351 Gr. CF8M	A351 Gr. LCC
3	Body Nut	A194 Gr. 2H	A194 Gr. 8A	A194 Gr. 4
4	Body Stud	A193 Gr. B7	A320 Gr. B8M	A320 Gr. L7M
5	Gasket	304/Graphite	316/Graphite	316/Graphite
6	Ball	A182 Gr. F304	A182 Gr. F316	A182 Gr. F304
7	Seat	P.T.F.E.	P.T.F.E.	P.T.F.E.
8	Stem	A182 Gr. F304	A182 Gr. F316	A182 Gr. F304
9	Anti-Static Device	A182 Gr. F316	A182 Gr. F316	A182 Gr. F304
10	Packing	Graphite	Graphite	Graphite
11	Gland	A276 Gr. 304	A276 Gr. 316	A276 Gr. 304
12	Gland Plate	A216 Gr. WCB	A 351 Gr. CF8M	A216 Gr. WCB
13	Stop Plate	A570	A570	A570
14	Washer	AISI SS304	AISI SS304	AISI SS304
15	Handle	A216 Gr. WCB	A216 Gr. WCB	A216 Gr. WCB
16	Screw	A193 Gr. B7	A320 Gr. B8M	A320 Gr. L7

**NOTE:**

COMPONENTS MAY CHANGE ACCORDING TO VALVE SIZE.  
CONTACT BERIC FOR CERTIFIED DRAWINGS.

ADDITIONAL VALVE BODY AND TRIM MATERIALS  
AVAILABLE.