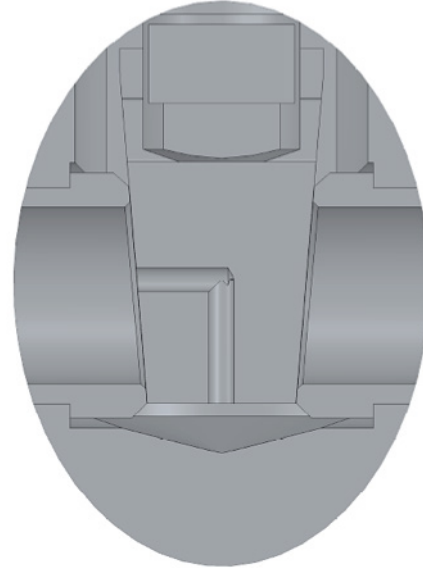
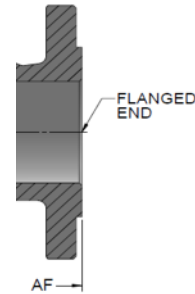
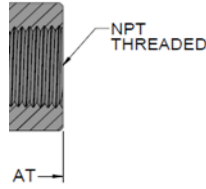
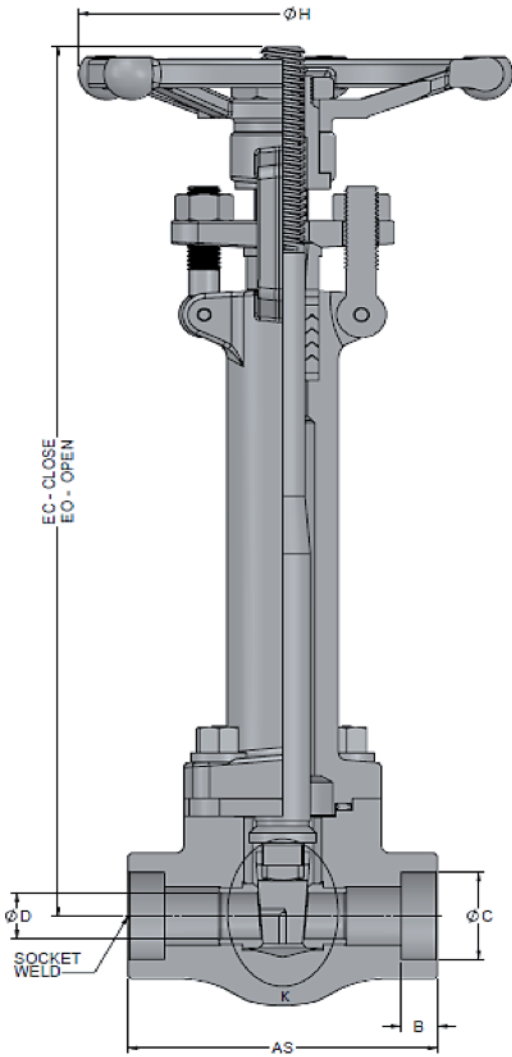


501 Cryogenic/Extended Bonnet Gate Valve, Standard Port



DETAIL K
CRYOGENIC WEDGE DESIGN

STANDARDS	
DESIGN:	API 602
	ASME B16.34
	MSS SP-134 (when specified)
	FACE TO FACE - ASME B16.10
TESTING:	API 598
PRESSURE CLASS:	NPT, SW & BW - 800
	FLANGED - 150, 300, 600
CONNECTIONS:	NPT - ASME B1.20.1
	SW - ASME B16.11
	BW - ASME B16.25
	FLANGED - ASME B16.5

DIMENSIONS															WGTL.(lb/kg)				
SIZE		AT/AS 800	AF - 150	AF - 300	AF - 600	B (Min)	C (Min)	D(Min)- NPT/SW	D(Min)-RF	EC-NPT/ SW	EO-NPT/ SW	EC-RF	EO-RF	H	RF 150	RF 300	RF 600	NPT/SW 800	
1/4	Inch	3.11	/	/	/	0.39	0.56	0.30	/	16.06	16.65	/	/	4.72	/	/	/	/	10.36
	mm	79.0	/	/	/	10.0	14.2	7.5	/	408.0	423.0	/	/	120.0	/	/	/	/	4.7
3/8	Inch	3.11	/	/	/	0.39	0.69	0.39	/	16.06	16.65	/	/	4.72	/	/	/	/	10.14
	mm	79.0	/	/	/	10.0	17.6	10	/	408.0	423.0	/	/	120.0	/	/	/	/	4.6
1/2	Inch	3.11	4.25	5.51	6.50	0.39	0.86	0.51	0.37	16.06	16.65	16.06	16.65	4.72	11.68	13.01	13.89	9.92	
	mm	79.0	108.0	140.0	165.0	10.0	21.8	13.0	9.5	408.0	423.0	408.0	423.0	120.0	5.3	5.9	6.3	4.5	
3/4	Inch	3.62	4.61	5.98	7.48	0.51	1.07	0.51	0.51	16.06	16.65	16.06	16.65	4.72	13.01	15.43	16.53	10.58	
	mm	92.0	117.0	152.0	190.0	13.0	27.2	13.0	13.0	408.0	423.0	408.0	423.0	120.0	5.9	7.0	7.5	4.8	
1	Inch	4.37	5.00	6.50	8.50	0.51	1.33	0.71	0.71	17.32	18.11	17.32	18.11	6.30	19.40	22.49	24.25	16.31	
	mm	111.0	127.0	165.0	216.0	13.0	33.9	18.0	18.0	440.0	460.0	440.0	460.0	160.0	8.8	10.2	11.0	7.4	
1-1/2	Inch	4.72	6.50	7.48	9.49	0.51	1.92	1.14	1.14	18.43	19.61	18.43	19.61	8.66	28.88	34.61	39.90	23.37	
	mm	120.0	165.0	190.0	241.0	13.0	48.8	29.0	29.0	468.0	498.0	468.0	498.0	220.0	13.1	15.7	18.1	10.6	
2	Inch	5.51	7.01	8.50	11.50	0.65	2.41	1.44	1.44	19.69	21.22	19.69	21.22	8.66	41.23	47.84	56.00	33.73	
	mm	140.0	178.0	216.0	292.0	16.5	61.2	36.5	36.5	500.0	539.0	500.0	539.0	220.0	18.7	21.7	25.4	15.3	