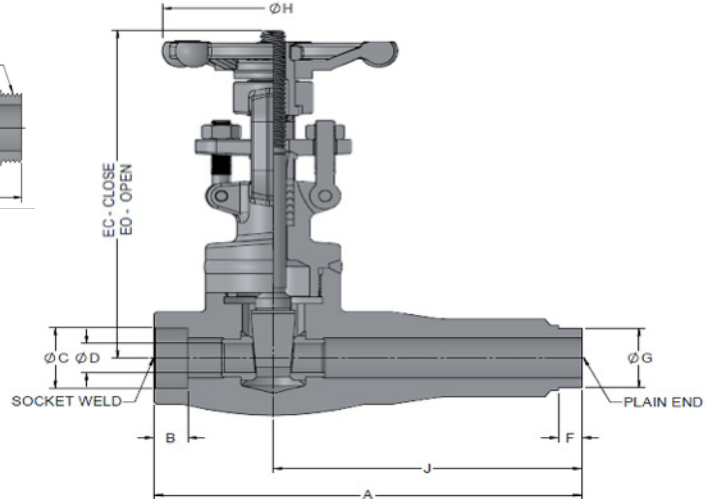
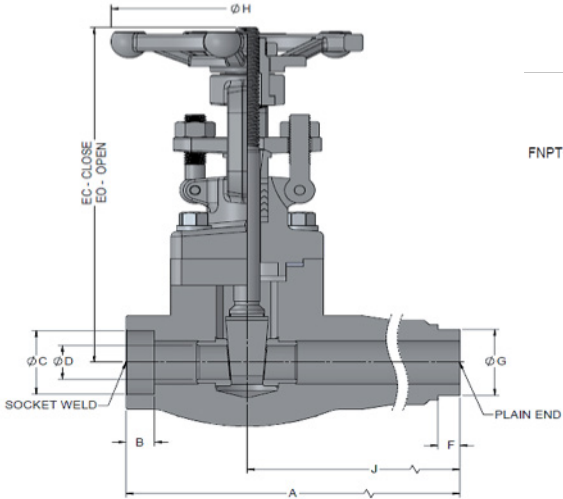


Extended Body Gate Valve Standard Port



501 Series: Bolted Bonnet

505 Series: Welded Bonnet

STANDARDS			
DESIGN:	API 602	CONNECTIONS:	NPT - ASME B1.20.1
	ASME B16.34		SW - ASME B16.11
TESTING:	API 598		BW - ASME B16.25
PRESSURE CLASS:	NPT, SW & BW - 800		PE - API 602

SIZE		DIMENSIONS											WGT.(lb/Kg)		
		A	B (Min)	C (Min)	D (Min)	EC (501)	EO (501)	EC (505)	EO (505)	F	J	G	H	501	505
1/2	Inch	5.89	0.39	0.86	0.37	5.59	6.18	5.63	6.22	0.31	4.33	0.84	3.94	5.07	4.41
	mm	149.5	10.0	21.8	9.5	142.0	157.0	143.0	158.0	7.9	110.0	21.3	100.0	2.3	2.0
3/4	Inch	6.14	0.51	1.07	0.51	5.59	6.18	5.79	6.38	0.44	4.33	1.05	3.94	5.51	5.07
	mm	156.0	13.0	27.2	13.0	142.0	157.0	147.0	162.0	11.2	110.0	26.7	100.0	2.5	2.3
1	Inch	6.91	0.51	1.33	0.71	6.50	7.28	7.01	7.80	0.44	4.72	1.31	4.72	8.60	9.26
	mm	175.5	13.0	33.9	18.0	165.0	185.0	178.0	198.0	11.2	120.0	33.4	120.0	3.9	4.2
1-1/2	Inch	7.87	0.51	1.92	1.14	8.23	9.49	8.31	9.61	0.44	5.51	1.90	6.30	15.87	15.87
	mm	200.0	13.0	48.8	29.0	209.0	241.0	211.0	244.0	11.2	140.0	48.3	160.0	7.2	7.2
2	Inch	8.66	0.65	2.41	1.44	9.02	10.75	9.45	11.18	0.56	5.91	2.37	8.66	23.15	24.69
	mm	220.0	16.5	61.2	36.5	229.0	273.0	240.0	284.0	14.2	150.0	60.3	220.0	10.5	11.2