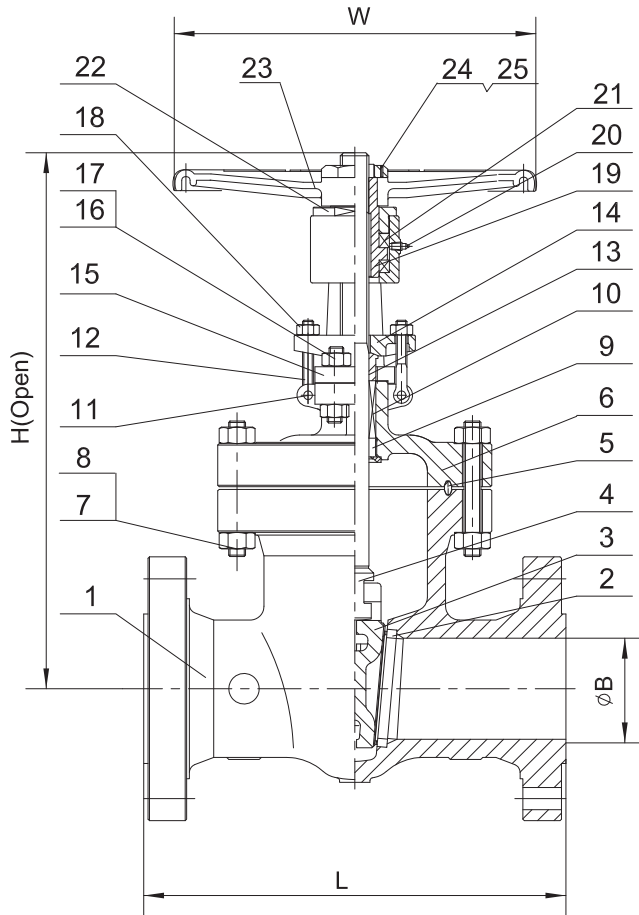


Gate Valve Class 1500

Standards:

Face to Face Dimensions: ANSI B16.10
 End Flange Dimensions: ANSI B16.5
 26" ≥ MSS SP-44
 Or API 605
 Basic Design: API 600
 Test Standard: API 598



MATERIAL LIST						
NO.	Part Name	ASTM Specification (Specs - Grades/Types)				
		A 216	A 352	A 217	A 351	
		WCB	LCC	WC6	C5	CF8M
1	Body	A 216-WCB	A 352-LCC	A 217-WC6	A 217-C5	A 351-CF8M
2	Seat Ring	A 105, LF2, 316, or 304				
	Seat Ring Surface	13CR, HF (CoCr-A), 316, 304, or Monel				
3	Gate	A 216-WCB	A 352-LCC	A 217-WC6	A 217-C5	A 351-CF8M
	Gate Seating Surface	13CR, HF (CoCr-A), 316, 304, or Monel				
4	Stem	13CR, 316, 304, 17-4PH, or Monel				
5	Gasket	Graphite Jacketed Stainless Steel				
6	Bonnet	A 216-WCB	A 352-LCC	A 217-WC6	A 217-C5	A 351-CF8M
7	Bonnet Bolt Nut	A 194-2H	A 194-4	A 194-2H	A 194-4	A 194-8
8	Bonnet Bolt	A 193-B7	A 320-L7	A 193-B7	A 193-B16	A 193-B8
9	Bonnet Bushing	13CR, 316, or 304				
10	Packing	Braided Graphite & Die Formed Graphite Ring				
11	Eye Bolt Pins	Carbon Steel				
12	Gland Eye Bolts	A 193-B7	A 320-L7	A 193-B7	A 193-B7	A 193-B8
13	Gland	13CR, 316, or 304				
14	Gland Flange	A 216-WCB	A 352-LCC	A 217-WC6	A 217-C5	A 351-CF8M
15	Yoke	A 216-WCB	A 352-LCC	A 217-WC6	A 217-C5	A 351-CF8M
16	Yoke Pad Bolt	A 193-B7	A 320-L7	A 193-B7	A 193-B16	A 193-B8
17	Yoke Pad Bolt Nuts	A 194-2H	A 194-4	A 194-2H	A 194-4	A 194-8
18	Eye Bolt Nut	A 194-2H	A 194-4	A 194-2H	A 194-4	A 194-8
19	Yoke Sleeve	ASTM A439 Gr. D2C				
20	Grease Nipple	Carbon Steel				
21	Bearing	Carbon Steel				
22	Retaining Nut	Carbon Steel				
23	Handwheel	Malleable Iron				
24	Screw	Carbon Steel				
25	Handwheel Nut	Carbon Steel				
						316

DIMENSIONS AND WEIGHTS											
Size	NPS	2	2-1/2	3	4	6	8	10	12	14	
L (RF)	In	14.50	16.50	18.50	21.50	27.80	32.80	39.00	44.50	49.50	
	mm	368	419	470	546	705	832	991	1130	1257	
L (RTJ)	In	14.63	16.63	18.63	21.63	28.00	33.13	39.38	45.13	50.25	
	mm	371	422	473	549	711	841	1000	1146	1276	
L (BW)	In	14.50	16.50	18.50	21.50	27.80	32.80	39.00	44.50	49.50	
	mm	368	419	470	546	705	832	991	1130	1257	
ØB	In	2.00	2.50	2.75	3.62	5.37	5.04	9.40	11.30	12.40	
	mm	51	64	70	92	136	128	239	287	315	
H	In	24.17	26.81	26.81	27.64	37.44	44.76	56.57	60.12	78.15	
	mm	614	681	681	702	951	1137	1437	1527	1985	
W	In	12	12	14	20	22	28	33	44	GO	
	mm	300	300	350	500	560	720	850	1120	GO	
WT	KG	95	142	168	277	545	1180	2118	3244	3693	
	LB	209.4	313.1	370.4	610.7	1201.5	2601.4	4669.3	7151.7	8141.6	

(713) 673-2073 - Fax (713) 673-4641 - Toll Free (866) GO-BERIC (462-3742)

www.bericvalves.com

Rev. 010111

Copyright 2011

Page 5GT