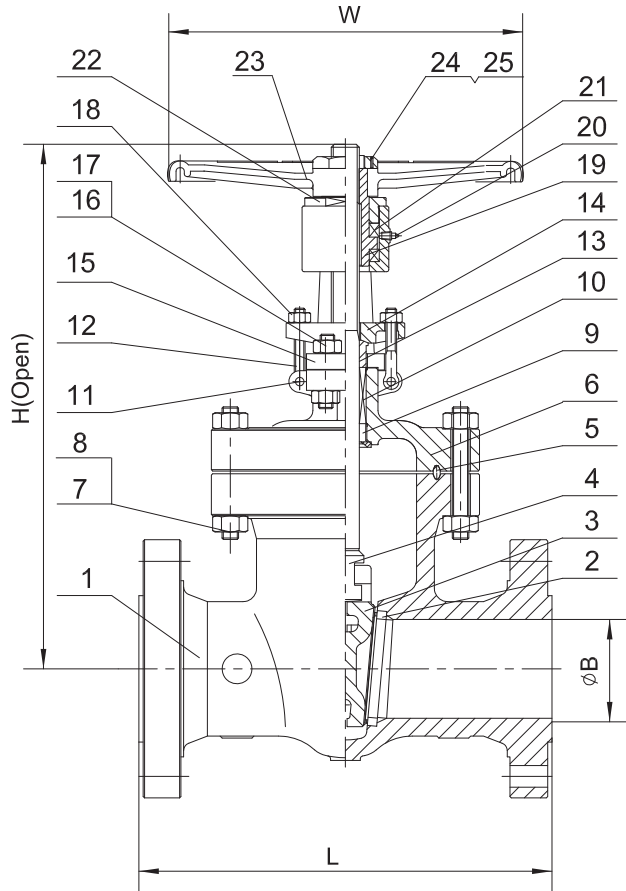


## Gate Valve Class 900

**Standards:**

Face to Face Dimensions: ANSI B16.10  
 End Flange Dimensions: ANSI B16.5  
 26" ≥ MSS SP-44  
 Or API 605  
 Basic Design: API 600  
 Test Standard: API 598



| NO. |                      | Part Name                                   |           | ASTM Specification (Specs - Grades/Types) |           |            |                |       |  |
|-----|----------------------|---|-----------|---|-----------|------------|----------------|-------|--|
|     |                      |   |           | A 216                                     | A 352     | A 217      |                | A 351 |  |
|     |                      | WCB   | LCC       | WC6                                       | C5        | CF8M       |                |       |  |
| 1   | Body                 | A 216-WCB                                   | A 352-LCC | A217-WC6                                  | A 217-C5  | A 351-CF8M |                |       |  |
| 2   | Seat Ring            | A 105, LF2, 316, or 304                     |           |   |           |            |                |       |  |
|     | Seat Ring Surface    | 13CR, HF (CoCr-A), 316, 304, or Monel       |           |   |           |            |                |       |  |
| 3   | Gate                 | A 216-WCB                                   | A 352-LCC | A217-WC6                                  | A 217-C5  | A 351-CF8M |                |       |  |
|     | Gate Seating Surface | 13CR, HF (CoCr-A), 316, 304, or Monel       |           |   |           |            |                |       |  |
| 4   | Stem                 | 13CR, 316, 304, 17-4PH, or Monel            |           |   |           |            |                |       |  |
| 5   | Gasket               | Graphite Jacketed Stainless Steel           |           |   |           |            |                |       |  |
| 6   | Bonnet               | A 216-WCB                                   | A 352-LCC | A217-WC6                                  | A 217-C5  | A 351-CF8M |                |       |  |
| 7   | Bonnet Bolt Nut      | A 194-2H                                    | A 194-4   | A 194-2H                                  | A 194-4   | A 194-8    |                |       |  |
| 8   | Bonnet Bolt          | A 193-B7                                    | A 320-L7  | A 193-B7                                  | A 193-B16 | A 193-B8   |                |       |  |
| 9   | Bonnet Bushing       | 13CR, 316, or 304                           |           |   |           |            |                |       |  |
| 10  | Packing              | Braided Graphite & Die Formed Graphite Ring |           |   |           |            |                |       |  |
| 11  | Eye Bolt Pins        | Carbon Steel                                |           |   |           |            | A 276 Type 316 |       |  |
| 12  | Gland Eye Bolts      | A 193-B7                                    | A 320-L7  | A 193-B7                                  |           | A 193-B8   |                |       |  |
| 13  | Gland                | 13CR, 316, or 304                           |           |   |           |            |                |       |  |
| 14  | Gland Flange         | A 216-WCB                                   | A 352-LCC | A217-WC6                                  | A 217-C5  | A 351-CF8M |                |       |  |
| 15  | Yoke                 | A 216-WCB                                   | A 352-LCC | A217-WC6                                  | A 217-C5  | A 351-CF8M |                |       |  |
| 16  | Yoke Pad Bolt        | A 193-B7                                    | A 320-L7  | A 193-B7                                  | A 193-B16 | A 193-B8   |                |       |  |
| 17  | Yoke Pad Bolt Nuts   | A 194-2H                                    | A 194-4   | A 194-2H                                  | A 194-4   | A 194-8    |                |       |  |
| 18  | Eye Bolt Nut         | A 194-2H                                    | A 194-4   | A 194-2H                                  | A 194-4   | A 194-8    |                |       |  |
| 19  | Yoke Sleeve          | ASTM A439 Gr. D2C                           |           |   |           |            |                |       |  |
| 20  | Grease Nipple        | Carbon Steel                                |           |   |           |            |                |       |  |
| 21  | Bearing              | Carbon Steel                                |           |   |           |            |                |       |  |
| 22  | Retaining Nut        | Carbon Steel                                |           |   |           |            | 316            |       |  |
| 23  | Handwheel            | Malleable Iron                              |           |   |           |            |                |       |  |
| 24  | Screw                | Carbon Steel                                |           |   |           |            |                |       |  |
| 25  | Handwheel Nut        | Carbon Steel                                |           |   |           |            | 316            |       |  |

| DIMENSIONS AND WEIGHTS |     |       |       |       |       |       |        |        |        |        |
|------------------------|-----|-------|-------|-------|-------|-------|--------|--------|--------|--------|
| Size                   | NPS | 2     | 2-1/2 | 3     | 4     | 6     | 8      | 10     | 12     | 14     |
| L (RF)                 | In  | 14.50 | 16.50 | 15.00 | 18.00 | 24.00 | 29.00  | 33.00  | 38.00  | 40.50  |
|                        | Mm  | 368   | 419   | 381   | 457   | 610   | 737    | 838    | 965    | 1029   |
| L (RTJ)                | In  | 14.60 | 16.60 | 15.10 | 18.10 | 24.10 | 29.10  | 33.10  | 38.10  | 40.90  |
|                        | Mm  | 371   | 422   | 384   | 460   | 613   | 740    | 841    | 968    | 1038   |
| L (BW)                 | In  | 14.50 | 16.50 | 15.00 | 18.00 | 24.00 | 29.00  | 33.00  | 38.00  | 40.50  |
|                        | Mm  | 368   | 419   | 381   | 457   | 610   | 737    | 838    | 965    | 1029   |
| ØB                     | In  | 1.90  | 2.20  | 2.90  | 3.90  | 5.70  | 7.50   | 9.40   | 11.10  | 12.20  |
|                        | Mm  | 47    | 57    | 73    | 98    | 146   | 190    | 238    | 282    | 311    |
| H                      | In  | 14.50 | 27.80 | 27.40 | 32.50 | 42.00 | 52.00  | 60.60  | 72.50  | 79.70  |
|                        | Mm  | 614   | 705   | 656   | 688   | 936   | 1127   | 1437   | 1507   | 2025   |
| W                      | In  | 10    | 12    | 12    | 14    | 20    | 20     | 24     | 28     | GO     |
|                        | Mm  | 250   | 300   | 300   | 350   | 500   | 500    | 600    | 720    | GO     |
| WT                     | KG  | 95    | 108   | 125   | 192   | 378   | 635    | 900    | 1550   | 2170   |
|                        | LB  | 209.4 | 238.1 | 275.6 | 423.3 | 833.3 | 1399.9 | 1984.1 | 3417.1 | 4784.0 |

(713) 673-2073 - Fax (713) 673-4641 - Toll Free (866) GO-BERIC (462-3742)

www.bericvalves.com

Rev. 010111

Copyright 2011

Page 4GT