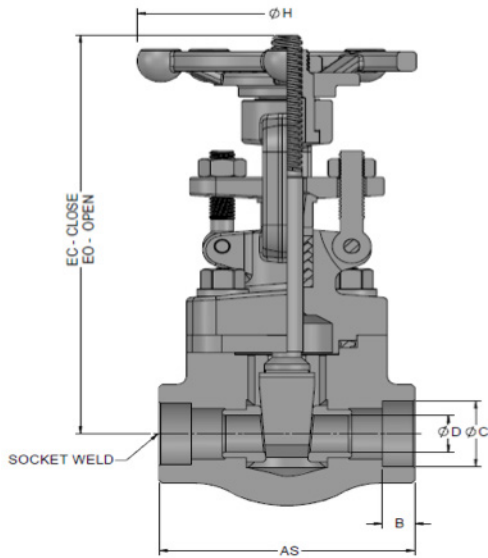
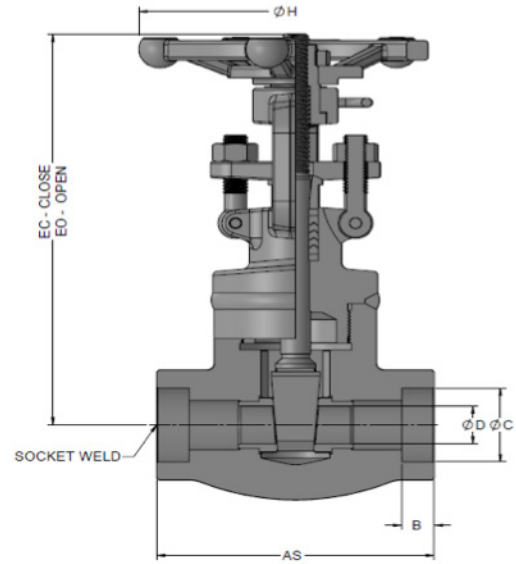


Gate Valve Full Port



511 Series: Bolted Bonnet



515 Series: Welded Bonnet

STANDARDS				
DESIGN:	API 602	TESTING:	API 598	
	ASME B16.34		CONNECTIONS:	NPT - ASME B1.20.1
	FACE-TO-FACE - ASME B16.10			SW - ASME B16.11
PRESSURE CLASS:	NPT, SW & BW - 800, 1500	BW- ASME B16.25		
	FLANGED - 150, 300, 600, 1500	FLANGED - ASME B16.5		

SIZE		DIMENSIONS															WGT.(lb./kg)									
		AT/AS [511]	AT/AS [515]	AF-150 [511]	AF-300 [511]	AF-600 [511]	B [Min]	C [Min]	D [Min] NPT/SW	D [Min] RF	EC-NPT/SW [511]	EO-NPT/SW [511]	EC-NPT/SW [515]	EO-NPT/SW [515]	EC RF [511]	EO RF [511]	H	150 [511]	150 [515]	300 [511]	300 [515]	600 [511]	600 [515]	800 [511]	800 [515]	
1/4	Inch	3.11	3.11	/	/	/	0.39	0.56	0.30	/	5.51	6.18	5.51	6.38	/	/	3.94	/	/	/	/	/	/	/	4.85	4.19
	mm	79.0	79.0	/	/	/	10.0	14.2	7.5	/	140.0	157.0	140.0	162.0	/	/	100.0	/	/	/	/	/	/	/	2.2	1.9
3/8	Inch	3.11	3.11	/	/	/	0.39	0.69	0.39	/	5.51	6.18	5.51	6.38	/	/	3.94	/	/	/	/	/	/	/	4.63	3.97
	mm	79.0	79.0	/	/	/	10.0	17.6	10	/	140.0	157.0	140.0	162.0	/	/	100.0	/	/	/	/	/	/	/	2.1	1.8
1/2	Inch	3.11	3.11	4.25	5.51	6.50	0.39	0.86	0.51	0.51	5.59	6.18	5.63	6.22	5.59	6.18	3.94	8.77	8.82	10.78	10.36	12.79	11.68	4.41	3.75	
	mm	79.0	79.0	108.0	140.0	165.0	10.0	21.8	13.0	13.0	142.0	157.0	143.0	158.0	142.0	157.0	100.0	4.0	4.0	4.9	4.7	5.8	5.3	2.0	1.7	
3/4	Inch	4.37	4.37	4.61	5.98	7.48	0.51	1.07	0.71	0.71	6.50	7.28	7.01	7.80	6.50	7.28	4.72	13.49	13.23	15.94	15.43	19.40	17.64	8.16	8.38	
	mm	111.0	111.0	117.0	152.0	190.0	13.0	27.2	18.0	18.0	165.0	185.0	178.0	198.0	165.0	185.0	120.0	6.1	6.0	7.2	7.0	8.8	8.0	3.7	3.8	
1	Inch	4.72	4.72	5.00	6.50	8.50	0.51	1.33	0.94	0.94	7.87	8.90	8.03	9.06	7.87	8.90	6.30	19.93	18.96	23.26	22.27	29.50	27.78	12.57	12.35	
	mm	120.0	120.0	127.0	165.0	216.0	13.0	33.9	24.0	24.0	200.0	226.0	204.0	230.0	200.0	226.0	160.0	9.0	8.6	10.6	10.1	13.4	12.6	5.7	5.6	
1-1/4	Inch	4.72	4.72	5.51	7.01	9.02	0.51	1.68	1.14	1.14	8.23	9.49	8.39	9.61	8.23	9.49	6.30	22.93	22.05	27.87	26.46	34.39	33.07	14.33	14.11	
	mm	120.0	120.0	140.0	178.0	229.0	13.0	42.7	29.0	29.0	209.0	241.0	213.0	244.0	209.0	241.0	160.0	10.4	10.0	12.6	12.0	15.6	15.0	6.5	6.4	
1-1/2	Inch	5.51	5.51	6.50	7.48	9.49	0.51	1.92	1.44	1.44	9.02	10.75	9.65	11.18	9.02	10.75	8.66	34.17	32.63	39.68	38.14	42.99	41.45	21.16	22.05	
	mm	140.0	140.0	165.0	190.0	241.0	13.0	48.8	36.5	36.5	229.0	273.0	245.0	284.0	229.0	273.0	220.0	15.5	14.8	18.0	17.3	19.5	18.8	9.6	10.0	
2	Inch	6.30	7.01	7.01	8.50	11.50	0.65	2.41	1.81	1.81	11.14	13.11	11.54	13.50	11.14	13.11	8.66	47.40	45.86	52.91	28.66	56.22	31.97	34.17	30.86	
	mm	160.0	178.0	178.0	216.0	292.0	16.5	61.2	46.0	46.0	283.0	333.0	293.0	343.0	283.0	333.0	220.0	21.5	20.8	24.0	13.0	25.5	14.5	15.5	14.0	

SIZE		DIMENSIONS-1500											WGT.(lb./kg)	
		AT/AS [511]	AT/AS [515]	B [Min]	C [Min]	D [Min] NPT/SW	EC-NPT/SW [511]	EO-NPT/SW [511]	EC-NPT/SW [515]	EO-NPT/SW [515]	H-NPT/SW	NPT/SW [511]	NPT/SW [515]	
1/2	Inch	4.37	4.37	0.39	0.86	0.51	6.50	7.28	7.01	7.72	4.72	8.38	8.60	
	mm	111.0	111.0	10.0	21.8	13.0	165.0	185.0	178.0	196.0	120.0	3.8	3.9	
3/4	Inch	4.72	4.72	0.51	1.07	0.71	7.87	8.66	8.03	8.86	6.30	13.23	13.23	
	mm	120.0	120.0	13.0	27.2	18.0	200.0	220.0	204.0	225.0	160.0	6.0	6.0	
1	Inch	4.72	4.72	0.51	1.33	0.94	8.23	9.25	8.39	9.41	6.30	15.21	14.55	
	mm	120.0	120.0	13.0	33.9	24.0	209.0	235.0	213.0	239.0	160.0	6.9	6.6	
1-1/4	Inch	5.51	5.51	0.51	1.68	1.14	9.02	10.24	9.65	10.98	8.66	21.83	24.25	
	mm	140.0	140.0	13.0	42.7	29.0	229.0	260.0	245.0	279.0	220.0	9.9	11.0	
1-1/2	Inch	6.30	7.01	0.51	1.92	1.44	11.14	12.68	11.02	12.56	8.66	36.16	33.73	
	mm	160.0	178.0	13.0	48.8	36.5	283.0	322.0	280.0	319.0	220.0	16.4	15.3	
2	Inch	7.01	7.01	0.65	2.41	1.81	11.14	13.27	11.02	12.99	8.66	40.79	33.07	
	mm	178.0	178.0	16.5	61.2	46.0	283.0	337.0	280.0	330.0	220.0	18.5	15.0	