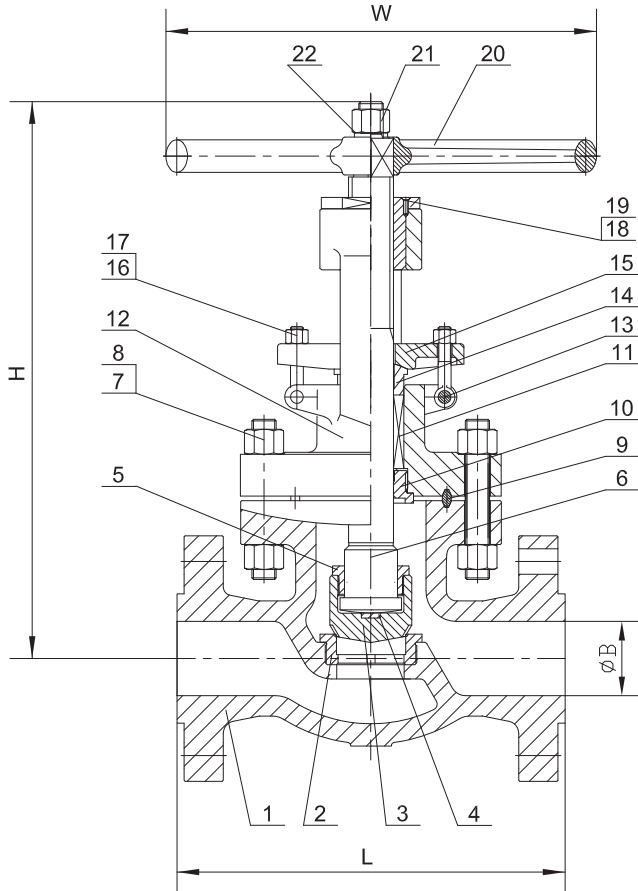


## Globe Valve Class 1500



MATERIAL LIST						
NO.	Part Name	ASTM Specification (Specs - Grades/Types)				
		A 216	A 352	A 217	A 351	
		WCB	LCC	WC6	C5	CF8M
1	Body	A 216-WCB	A 352-LCC	A 217-WC6	A 217-C5	A 351-CF8M
2	Seat Ring	A 105, LF2, 316, or 304				
	Seat Ring Surface	13CR, HF (CoCr-A), 316, 304, or Monel				
3	Disc	A 216 - WCB	A 352-LCC	A 217-WC6	A 217-C5	A 351-CF8M
	Disc Seating Surface	13CR, HF (CoCr-A), 316, 304, or Monel				
4	Disc Thrust Plate	13CR, 316, OR 304				
5	Disc Nut	13CR, 316, OR 304				
6	Stem	13CR, 316, 304, 17-4PH, or Monel				
7	Bonnet Bolt Nut	A 194-2H	A 194-4	A 194-2H	A 194-4	A 194-8
8	Bonnet Bolt	A 193-B7	A 320-L7	A 193-B7	A 193-B16	A 193-B8
9	Gasket	Ring Joint - Iron				
10	Bonnet Bushing	13CR, 316, OR 304				
11	Gland Packing	Braided Graphite & Die Formed Graphite Ring				
12	Bonnet	A 216-WCB	A 352-LCC	A 217-WC6	A 217-C5	A 351-CF8M
13	Eye Bolt Pins	13CR, 316, or 304				
14	Gland	13CR, 316, or 304				
15	Gland Flange	A 216-WCB	A 352-LCC	A 217-WC6	A 217-C5	A 351-CF8M
16	Gland Eye Bolts	A 193-B7	A 320-L7	A 193-B7	A 193-B16	A 193-B8
17	Eye Bolt Nuts	A 194-2H	A 194-4	A 194-2H	A 194-4	A 194-8
18	Yoke Sleeve	ASTM A 439 Gr. D2C				
19	Screw	Carbon Steel				A 276-316
20	Handwheel	Malleable Iron				
21	Handwheel Nut	Carbon Steel				A 276-316
22	Backing Ring	Carbon Steel				A 276-316

**Standards:**

Face to Face Dimensions: ANSI B16.10  
 End Flange Dimensions: ANSI B16.5  
 26" ≥ MSS SP-44  
 Or API 605  
 Basic Design: B16.34 & BS1873  
 Test Standard: API 598

DIMENSIONS AND WEIGHTS									
Size	NPS	2	2-1/2	3	4	6	8	10	12
L	In	14.50	16.50	18.50	21.50	27.75	32.75	39.00	44.50
(RF)	Mm	368	419	470	546	705	832	991	1130
L	In	14.63	16.63	18.63	21.63	27.87	33.12	39.13	44.63
(RTJ)	Mm	371	422	473	549	711	841	994	1133
L	In	14.50	16.50	18.50	21.50	27.75	32.75	39.00	44.50
(BW)	Mm	368	419	470	546	705	832	991	1130
ØB	In	1.87	1.63	1.87	3.62	4.56	7.00	7.75	9.75
	Mm	48	41.3	47.6	92	136	178	197	250
H	In	21.50	23.20	28.00	28.25	35.04	48.82	65.00	73.62
	Mm	546	589	711	718	890	1240	1651	1870
W	In	14	14	14	16	25	32	34	36
	Mm	350	350	350	400	640	800	850	900
WT	KG	87.0	168.0	250.0	435.0	540.0	970.0	1520.0	1960.0
	LB	191.80	370.37	551.15	959.00	1190.48	2138.46	3350.99	4321.02

(713) 673-2073 - Fax (713) 673-4641 - Toll Free (866) GO-BERIC (462-3742)

www.bericvalves.com

Rev. 010111

Copyright 2011

Page 5GL