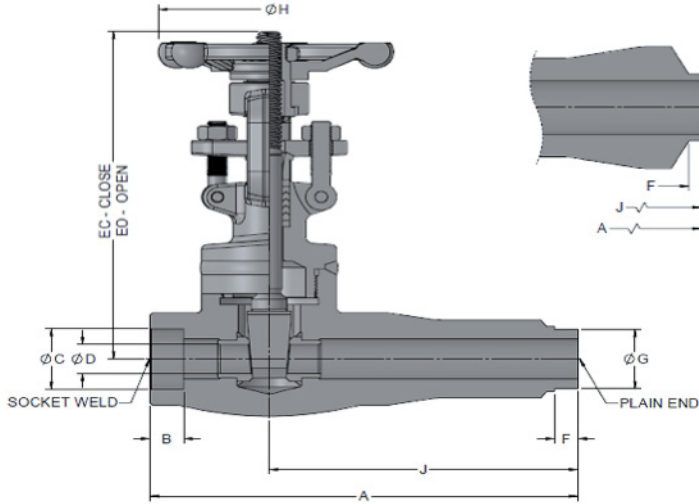
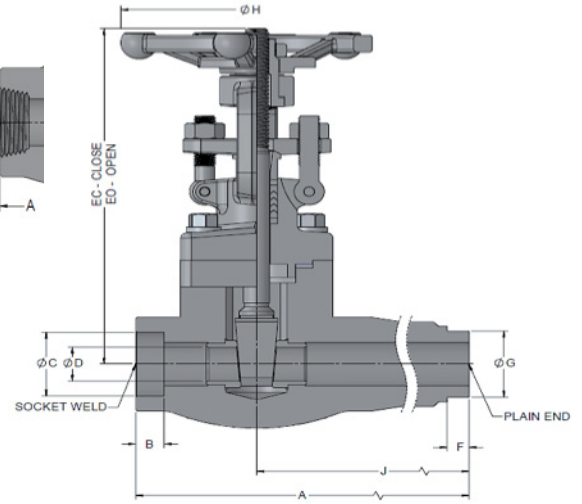


# Reinforced Extended Body Gate Valve Standard Port



**501 Series: Bolted Bonnet**



**505 Series: Welded Bonnet**

STANDARDS			
DESIGN:	API 602	CONNECTIONS:	NPT - ASME B1.20.1
	ASME B16.34		SW - ASME B16.11
TESTING:	API 598		LIP END/BW - ASME B16.25
PRESSURE CLASS:	NPT, SW & BW - 800		PE - API 602

DIMENSIONS															WGT.(lb/Kg)		
SIZE		A	B (Min)	C (Min)	D (Min)	EC (501)	EO (501)	EC (505)	EO (505)	F	J	G	K	M	H	501	505
1/2	Inch	8.15	0.39	0.86	0.37	5.59	6.18	5.63	6.22	0.16	6.59	0.87	1.38	0.69	3.94	5.73	5.07
	mm	207.0	10.0	21.8	9.5	142.0	157.0	143.0	158.0	4.0	167.5	22.0	35.0	17.5	100.0	2.6	2.3
3/4	Inch	8.60	0.51	1.07	0.51	5.59	6.18	5.79	6.38	0.19	6.79	1.18	1.57	0.87	3.94	6.17	5.73
	mm	218.5	13.0	27.2	13.0	142.0	157.0	147.0	162.0	4.8	172.5	30.0	40.0	22.0	100.0	2.8	2.6
1	Inch	9.63	0.51	1.33	0.71	6.50	7.28	7.01	7.80	0.19	7.44	1.44	1.97	1.12	4.72	9.48	10.14
	mm	244.5	13.0	33.9	18.0	165.0	185.0	178.0	198.0	4.8	189.0	36.5	50.0	28.5	120.0	4.3	4.6
1-1/2	Inch	10.37	0.51	1.92	1.14	8.23	9.49	8.31	9.61	0.25	8.01	1.99	2.68	1.61	6.30	17.64	17.64
	mm	263.5	13.0	48.8	29.0	209.0	241.0	211.0	244.0	6.3	203.5	50.5	68.0	41.0	160.0	8.0	8.0
2	Inch	10.53	0.65	2.41	1.44	9.02	10.75	9.45	11.18	0.31	7.78	2.56	3.15	1.81	8.66	25.79	27.34
	mm	267.5	16.5	61.2	36.5	229.0	273.0	240.0	284.0	8.0	197.5	65.0	80.0	46.0	220.0	11.7	12.4