

Swing Check Valve

Full Port, Welded Bonnet Forged Steel

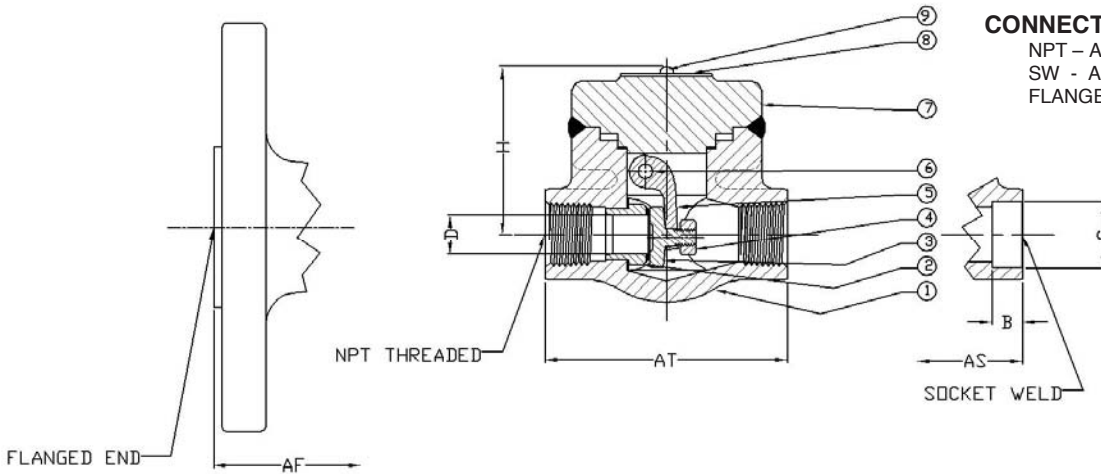
518 SERIES

STANDARDS
DESIGN:
API 602
MSS SP-118
ASME B16.34

TESTING:
API 598

PRESSURE CLASS:
NPT & SW - 800
FLANGED - 150,300,600

CONNECTIONS:
NPT - ASME B1.20.1
SW - ASME B16.11
FLANGED - ASME B16.5
ASME B16.10



MATERIAL LIST								
NO.	Part Name	A105	LF2	F5	F9	F11	F22	F316/F316L
1	Body	A105N	A350-LF2	A182-F5	A182-F9	A182-F11	A182-F22	A182-F316/F316L
2	Seat Ring	A276-410/CoCr-A						316/CoCr-A
3	Disc	A276-410						A276-316
4	Disc Nut	A194-2H						A194-316
5	Swing Arm	A276-316						
6	Hinge Pin	A276-316						
7	Bonnet	A105N	A350-LF2	A182-F5	A182-F9	A182-F11	A182-F22	A182-F316/F316L
8	Nameplate	Aluminum						
9	Rivet	A276-410						

DIMENSIONS AND WEIGHTS

SIZE		AT	AS	AF-150	AF-300	AF-600	B	C	D (Min)	H	WGT.			
											150	300	600	800
1/2	Inch	3.62	3.62	4.25	6.00	6.50	0.37	0.87	0.51	2.40	10.14	10.58	12.79	3.75
	mm	92.00	92.00	108.00	152.00	165.00	9.50	22.0	13.00	61.00	4.60	4.80	5.80	1.70
3/4	Inch	4.37	4.37	4.60	7.00	7.50	0.49	1.07	0.71	3.09	18.75	19.40	20.94	7.28
	mm	111.00	111.00	117.00	178.00	190.00	12.50	27.4	18.00	78.00	8.50	8.80	9.50	3.30
1	Inch	4.72	4.72	5.00	8.50	8.50	0.49	1.34	0.94	3.31	20.29	21.16	22.93	9.26
	mm	120.00	120.00	127.00	216.00	216.00	12.50	34.1	24.00	84.00	9.20	9.60	10.40	4.20
1-1/4	Inch	4.72	4.72	5.50	9.00	9.00	0.49	1.68	1.14	3.31	27.56	30.20	34.39	9.26
	mm	120.00	120.00	140.00	229.00	229.00	12.50	42.9	29.00	84.00	12.50	13.70	15.60	4.20
1-1/2	Inch	5.50	5.50	6.50	9.50	9.50	0.49	1.92	1.42	4.72	32.63	39.24	54.00	18.74
	mm	140.00	140.00	165.00	241.00	241.00	12.50	49.0	36.00	120.00	14.80	17.80	24.50	8.50
2	Inch	5.90	5.90	8.00	10.50	11.50	0.63	2.41	1.98	5.51	42.63	59.24	74.00	28.74
	mm	150.00	150.00	203.00	267.00	292.00	16.00	61.5	50.4	140.00	19.37	26.87	33.56	13.04

(713) 673-2073 - Fax (713) 673-4641 - Toll Free (866) GO-BERIC (462-3742)

www.bericvalves.com

Rev. 062012

Copyright 2012

Page 16FS