

Swing Check Valve

Standard Port, Welded Bonnet 508 SERIES

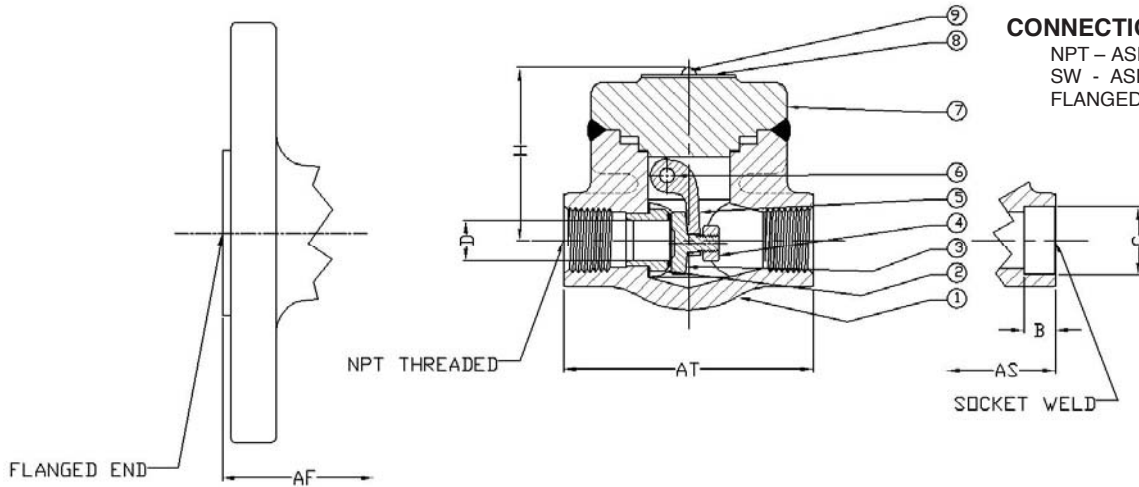
Forged Steel

STANDARDS DESIGN:
 API 602
 MSS SP-118
 ASME B16.34

TESTING:
 API 598

PRESSURE CLASS:
 NPT & SW - 800
 FLANGED - 150,300,600

CONNECTIONS:
 NPT - ASME B1.20.1
 SW - ASME B16.11
 FLANGED - ASME B16.5
 ASME B16.10



| MATERIAL LIST | | | | | | | | | |
|---------------|-----------|-----------------|----------|---------|---------|----------|----------|-----------------|------------|
| NO. | Part Name | A105 | LF2 | F5 | F9 | F11 | F22 | F316/F316L | |
| 1 | Body | A105N | A350-LF2 | A182-F5 | A182-F9 | A182-F11 | A182-F22 | A182-F316/F316L | |
| 2 | Seat Ring | A276-410/CoCr-A | | | | | | | 316/CoCr-A |
| 3 | Disc | A276-410 | | | | | | | A276-316 |
| 4 | Disc Nut | A194-2H | | | | | | | A194-316 |
| 5 | Swing Arm | A276-316 | | | | | | | |
| 6 | Hinge Pin | A276-316 | | | | | | | |
| 7 | Bonnet | A105N | A350-LF2 | A182-F5 | A182-F9 | A182-F11 | A182-F22 | A182-F316/F316L | |
| 8 | Nameplate | Aluminum | | | | | | | |
| 9 | Rivet | A276-410 | | | | | | | |

DIMENSIONS AND WEIGHTS

| SIZE | | AT | AS | AF-150 | AF-300 | AF-600 | B | C | D (Min) | H | WGT. | | | |
|-------|------|--------|--------|--------|--------|--------|-------|------|---------|--------|-------|-------|-------|-------|
| | | | | | | | | | | | 150 | 300 | 600 | 800 |
| 1/2 | Inch | 3.11 | 3.11 | 4.25 | 6.00 | 6.50 | 0.37 | 0.87 | 0.39 | 2.40 | 7.94 | 8.16 | 8.82 | 3.31 |
| | mm | 79.00 | 79.00 | 108.00 | 152.00 | 165.00 | 9.50 | 22.0 | 10.00 | 61.00 | 3.60 | 3.70 | 4.00 | 1.50 |
| 3/4 | Inch | 3.62 | 3.62 | 4.60 | 7.00 | 7.50 | 0.49 | 1.07 | 0.51 | 2.40 | 10.14 | 10.58 | 12.79 | 3.75 |
| | mm | 92.00 | 92.00 | 117.00 | 178.00 | 190.00 | 12.50 | 27.4 | 13.00 | 61.00 | 4.60 | 4.80 | 5.80 | 1.70 |
| 1 | Inch | 4.37 | 4.37 | 5.00 | 8.50 | 8.50 | 0.49 | 1.34 | 0.71 | 3.09 | 18.75 | 19.40 | 20.94 | 7.28 |
| | mm | 111.00 | 111.00 | 127.00 | 216.00 | 216.00 | 12.50 | 34.1 | 18.00 | 78.00 | 8.50 | 8.80 | 9.50 | 3.30 |
| 1-1/4 | Inch | 4.75 | 4.75 | 5.50 | 9.00 | 9.00 | 0.49 | 1.68 | 0.94 | 3.31 | 20.29 | 21.16 | 22.93 | 9.26 |
| | mm | 120.00 | 120.00 | 140.00 | 229.00 | 229.00 | 12.50 | 42.9 | 24.00 | 84.00 | 9.20 | 9.60 | 10.40 | 4.20 |
| 1-1/2 | Inch | 4.75 | 4.75 | 6.50 | 9.50 | 9.50 | 0.49 | 1.92 | 1.14 | 3.31 | 27.56 | 30.20 | 34.39 | 9.26 |
| | mm | 120.00 | 120.00 | 165.00 | 241.00 | 241.00 | 12.50 | 49.0 | 29.00 | 84.00 | 12.50 | 13.70 | 15.60 | 4.20 |
| 2 | Inch | 5.50 | 5.50 | 8.00 | 10.50 | 11.50 | 0.63 | 2.41 | 1.42 | 4.72 | 32.63 | 39.24 | 54.00 | 18.74 |
| | mm | 140.00 | 140.00 | 203.00 | 267.00 | 292.00 | 16.00 | 61.5 | 36.00 | 120.00 | 14.80 | 17.80 | 24.50 | 8.50 |

(713) 673-2073 - Fax (713) 673-4641 - Toll Free (866) GO-BERIC (462-3742)

www.bericvalves.com

Rev. 062012

Copyright 2012

Page 8FS