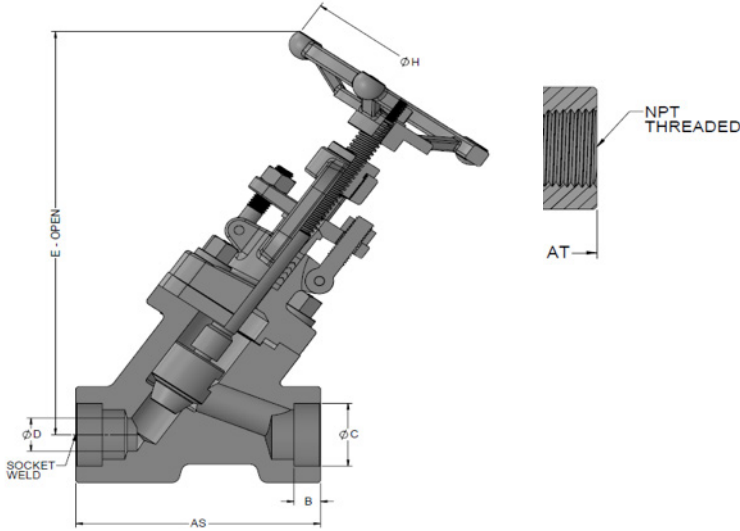
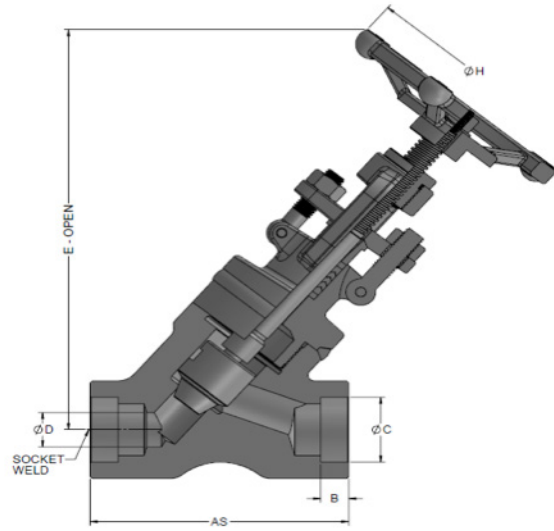


Y-Pattern Globe Valve Standard Port



509 Series: Bolted Bonnet



512 Series: Welded Bonnet

| STANDARDS | | | |
|-----------------|--------------------------|--------------|--------------------|
| DESIGN: | API 602 | CONNECTIONS: | NPT - ASME B1.20.1 |
| | MSS SP-118 | | SW - ASME B16.11 |
| | ASME B16.34 | | BW- ASME B16.25 |
| TESTING: | API 598 | | |
| PRESSURE CLASS: | NPT, SW & BW - 800, 1500 | | |

| DIMENSIONS | | | | | | | | | | | | WGT.(lb/kg) | |
|------------|------|-----------|-----------|---------|---------|---------------|-----------------|-----------------|-----------------|-----------------|-------|--------------|--------------|
| SIZE | | AT/AS 509 | AS/AT 512 | B (Min) | C (Min) | D(Min)-NPT/SW | EC-NPT/SW (509) | EC-NPT/SW (509) | EC-NPT/SW (512) | EC-NPT/SW (512) | H | NPT/SW (509) | NPT/SW (512) |
| 1/4 | Inch | 3.86 | 3.74 | 0.39 | 0.56 | 0.27 | 6.77 | 7.17 | 6.50 | 6.77 | 3.94 | 6.17 | 4.41 |
| | mm | 98.0 | 95.0 | 10.0 | 14.2 | 6.8 | 172.0 | 182.0 | 165.0 | 172.0 | 100.0 | 2.8 | 2.00 |
| 3/8 | Inch | 3.86 | 3.74 | 0.39 | 0.69 | 0.27 | 6.77 | 7.17 | 6.50 | 6.77 | 3.94 | 6.17 | 4.41 |
| | mm | 98.0 | 95.0 | 10.0 | 17.6 | 6.8 | 172.0 | 182.0 | 165.0 | 172.0 | 100.0 | 2.8 | 2.00 |
| 1/2 | Inch | 3.86 | 3.74 | 0.39 | 0.86 | 0.37 | 6.77 | 7.17 | 6.50 | 6.77 | 3.94 | 5.95 | 4.19 |
| | mm | 98.0 | 95.0 | 10.0 | 21.8 | 9.5 | 172.0 | 182.0 | 165.0 | 172.0 | 100.0 | 2.7 | 1.9 |
| 3/4 | Inch | 3.86 | 4.37 | 0.51 | 1.07 | 0.49 | 6.77 | 7.17 | 6.93 | 7.24 | 3.94 | 5.73 | 5.29 |
| | mm | 98.0 | 111.0 | 13.0 | 27.2 | 12.5 | 172.0 | 182.0 | 176.0 | 184.0 | 100.0 | 2.6 | 2.4 |
| 1 | Inch | 4.72 | 4.72 | 0.51 | 1.33 | 0.69 | 8.58 | 9.29 | 8.27 | 8.54 | 4.72 | 10.58 | 9.26 |
| | mm | 120.0 | 120.0 | 13.0 | 33.9 | 17.5 | 218.0 | 236.0 | 210.0 | 217.0 | 120.0 | 4.8 | 4.2 |
| 1-1/4 | Inch | 5.51 | 5.51 | 0.51 | 1.68 | 0.93 | 9.65 | 10.04 | 10.08 | 10.55 | 6.30 | 14.99 | 14.99 |
| | mm | 140.0 | 140.0 | 13.0 | 42.7 | 23.5 | 245.0 | 255.0 | 256.0 | 268.0 | 160.0 | 6.8 | 6.8 |
| 1-1/2 | Inch | 5.51 | 5.51 | 0.51 | 1.92 | 1.12 | 10.31 | 10.79 | 10.08 | 10.55 | 6.30 | 18.74 | 18.74 |
| | mm | 140.0 | 140.0 | 13.0 | 48.8 | 28.5 | 262.0 | 274.0 | 256.0 | 268.0 | 160.0 | 8.5 | 8.5 |
| 2 | Inch | 6.50 | 7.09 | 0.65 | 2.41 | 1.44 | 13.46 | 13.86 | 11.50 | 12.13 | 8.66 | 30.86 | 24.91 |
| | mm | 165.0 | 180.0 | 16.5 | 61.2 | 36.5 | 342.0 | 352.0 | 292.0 | 308.0 | 220.0 | 14.0 | 11.3 |

| DIMENSIONS - 1500 | | | | | | | | | | | | WGT.(lb/kg) | |
|-------------------|------|-----------|-----------|---------|---------|----------------|-----------------|-----------------|-----------------|-----------------|-------|--------------|--------------|
| SIZE | | AT/AS 509 | AS/AT 512 | B (Min) | C (Min) | D-NPT/SW (Min) | EC-NPT/SW (509) | EC-NPT/SW (509) | EC-NPT/SW (512) | EC-NPT/SW (512) | H | NPT/SW (509) | NPT/SW (512) |
| 1/2 | Inch | 4.72 | 4.72 | 0.39 | 0.86 | 0.37 | 8.66 | 8.94 | 7.99 | 8.35 | 4.72 | 11.02 | 9.92 |
| | mm | 120.0 | 120.0 | 10.0 | 21.8 | 9.5 | 220.0 | 227.0 | 203.0 | 212.0 | 120.0 | 5.0 | 4.5 |
| 3/4 | Inch | 4.72 | 4.72 | 0.51 | 1.07 | 0.49 | 8.66 | 8.94 | 7.99 | 8.35 | 4.72 | 10.80 | 9.70 |
| | mm | 120.0 | 120.0 | 13.0 | 27.2 | 12.5 | 220.0 | 227.0 | 203.0 | 212.0 | 120.0 | 4.9 | 4.4 |
| 1 | Inch | 5.51 | 5.51 | 0.51 | 1.33 | 0.69 | 9.84 | 10.31 | 9.76 | 10.12 | 6.30 | 15.65 | 15.65 |
| | mm | 140.0 | 140.0 | 13.0 | 33.9 | 17.5 | 250.0 | 262.0 | 248.0 | 257.0 | 160.0 | 7.1 | 7.1 |
| 1-1/4 | Inch | 5.51 | 5.51 | 0.51 | 1.68 | 0.93 | 10.51 | 10.98 | 10.12 | 10.87 | 6.30 | 19.62 | 19.40 |
| | mm | 140.0 | 140.0 | 13.0 | 42.7 | 23.5 | 267.0 | 279.0 | 257.0 | 276.0 | 160.0 | 8.9 | 8.8 |
| 1-1/2 | Inch | 6.50 | 7.09 | 0.51 | 1.92 | 1.12 | 12.20 | 12.80 | 12.05 | 12.76 | 8.66 | 33.07 | 26.68 |
| | mm | 165.0 | 180.0 | 13.0 | 48.8 | 28.5 | 310.0 | 325.0 | 306.0 | 324.0 | 220.0 | 15.0 | 12.1 |
| 2 | Inch | 8.66 | 8.86 | 0.65 | 2.41 | 1.44 | 13.58 | 14.37 | 12.48 | 13.19 | 8.66 | 48.50 | 43.21 |
| | mm | 220.0 | 225.0 | 16.5 | 61.2 | 36.5 | 345.0 | 365.0 | 317.0 | 335.0 | 220.0 | 22.0 | 19.6 |