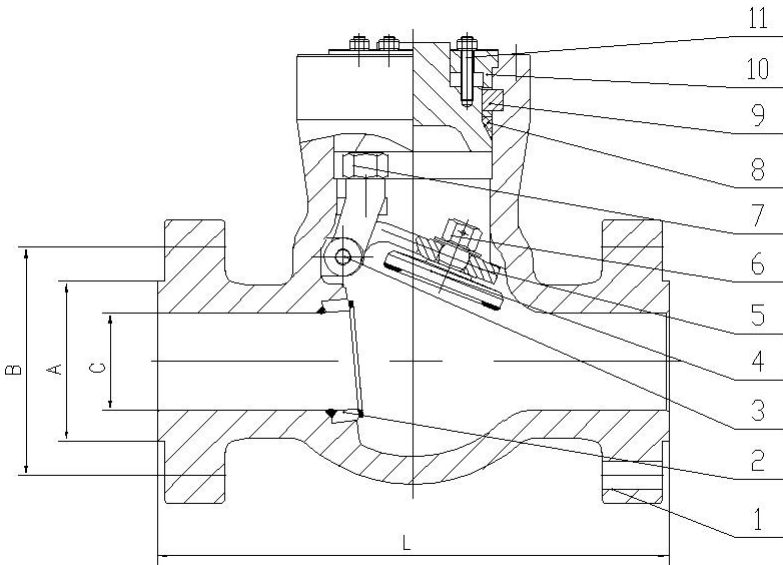


## Check Valve Pressure Seal Class 600

Standards:

Face to Face Dimensions: ANSI B16.10  
 End Flange Dimensions: ANSI B16.5  
 Basic Design: ASME B16.34  
 Test Standard: API 598



MATERIAL LIST						
NO.	Part Name	ASTM Specification (Specs – Grades/Types)				
		A 216	A 352	A 217	A 351	
		WCB	LCC	WC6	C5	
		CF8M				
1	Body	A 216-WCB	A 352-LCC	A217-WC6	A 217-C5	A 351-CF8M
2	Seat Ring	A 105, LF2, 316, or 304				
	Seat Ring Surface	13Cr, HF (CoCr-A), 316, 304, or Monel				
3	Pin	13Cr			316	
4	Disc	13Cr				
5	Arm	A 216-WCB			A 351-CF8M	
6	Nut	304				
7	Bolt	304				
8	Seal Ring	304/Flexible Graphite				
9	Ring	13Cr			A 276 Type 316	
10	Cover	A 216-WCB	A 352-LCC	A217-WC6	A 217-C5	A 351-CF8M
11	Cover Bolt	A 193-B7	A 320-L7	A 193-B7		A 193-B8
	Cover Nut	A 194-2H	A 194-7	A 194-2H		A 194-8

DIMENSIONS AND WEIGHTS				
Size	NPS	4	6	8
L	In	17.00	22.00	26.00
(RF)	Mm	432	559	660
L	In	17.12	22.12	26.12
(RTJ)	Mm	435	562	664
L	In	17.00	18.00	23.00
(BW)	Mm	432	457.2	584.2
A	In	6.18	8.50	10.62
	Mm	157	216	270
B	In	8.50	11.50	13.75
	Mm	216	292	349
C	In	4	6	8
	Mm	101.6	152.4	203.2
WT	KG			
	LB			