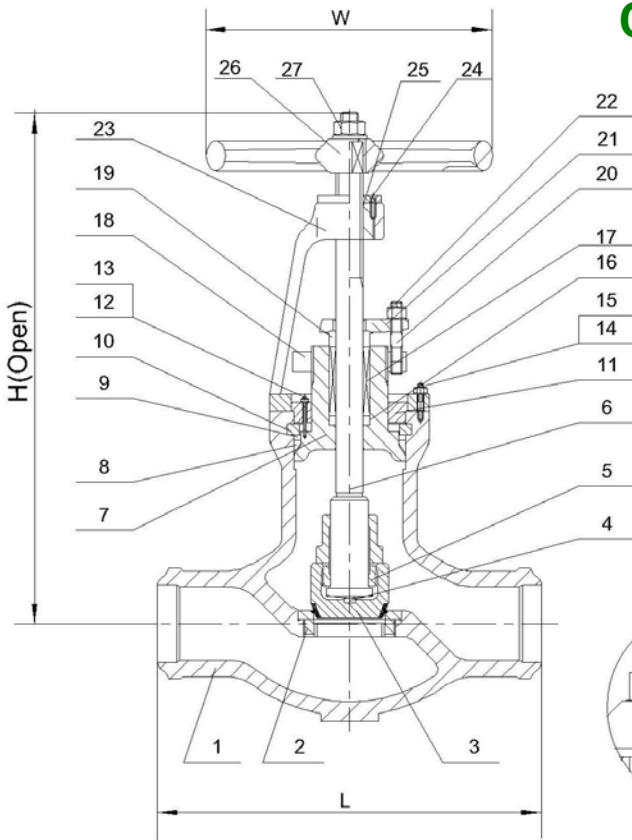


Pressure Seal Globe Valve Class 1500

Standards:

Face to Face Dimensions: ANSI B16.10
 End Flange Dimensions: ANSI B16.5
 Basic Design: ANSI B16.34
 *Conforms to the applicable requirements of API 600
 Test Standard: API 598



12"~16"

MATERIAL LIST		
NO.	Part Name	ASTM Specification (Specs - Grades/Types)
1	Body	A 216 Gr. WCB
2	Seat Ring	A 105/CoCr-A HF
	Seat Ring Surface	CoCr-A HF
3	Disc	A 105
	Disc Seating Surface	CoCr-A HF
4	Disc Thrust Plate	A 276 Type 410
5	Disc Nut	A 276 Type 410
6	Stem	A 182 Gr. F6
7	Stuffing Box	A 216 Gr. WCB
8	Sealing Ring	A 276 Type 304
9	Pressure Ring	A 276 Type 420
10	Segment Ring	A 276 Type 410
11	Support Plate	A 216 Gr. WCB
12	Box-Plate Bolt	A 193 Gr. B7
13	Box-Plate Nut	A 194 Gr. 2H
14	Bonnet Bolts	A 193 Gr. B7
15	Bonnet Nuts	A 194 Gr. 2H
16	Lantern	A 276 Type 410
17	Packing	Braided Graphite & Die Formed Graphite
18	Gland Flange Seat	A 182 Gr. F6
19	Gland	A 276 Type 410
20	Gland Eye Bolt	A 193 Gr. B7
21	Gland Flange	A 216 Gr. WCB
22	Gland Eyebolt Nut	A 194 Gr. 2H
23	Bonnet	A 216 Gr. WCB
24	Screw	Carbon Steel A 193 Gr. B7
25	Yoke Sleeve	A 439 Gr. D2
26	Handwheel	Malleable Iron
27	Handwheel Nut	Carbon Steel
28	Gear Protector	Carbon Steel

DIMENSIONS AND WEIGHTS										
Size	NPS	2	3	4	6	8	10	12	14	16
L (RF)	In	14.50	18.50	21.50	27.80	32.80	39.00	44.50	49.50	55.00
	Mm	368	470	546	705	832	991	1130	1257	1397
L (BW)	In	14.50	18.50	21.50	27.80	32.80	39.00	44.50	49.50	55.00
	Mm	368	470	546	705	832	991	1130	1257	1397
H	In	24.00	39.09	34.68	43.94	47.48	55.00	63.78	71.97	85.00
	Mm	306	739	881	1116	1206	1397	1620	1828	2159
W	In	13.78	17.72	19.69	25.20	29.13	31.50	35.43	24.02	31.89
	Mm	350	450	500	640	740	800	900	610	810
WT	KG	87	250	435	540	970	1520	1960	2700	3400
	LB	192	551	959	1190	2138	3351	4321	5952	7496