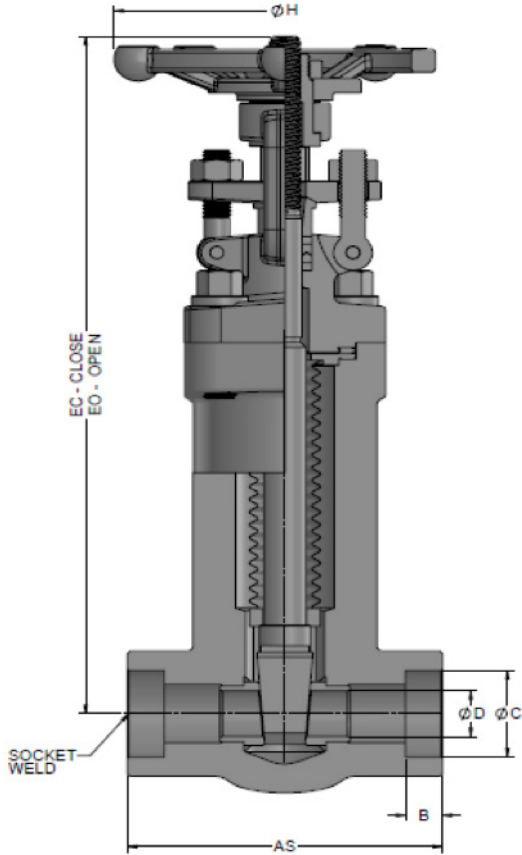
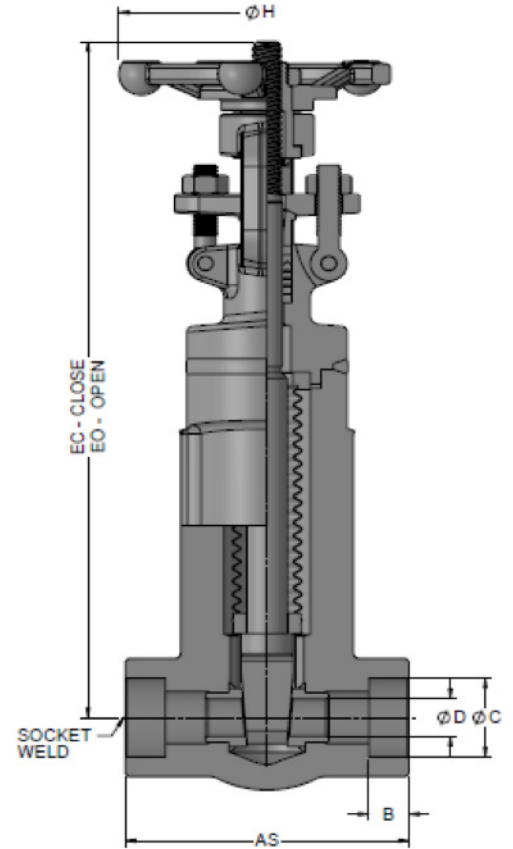
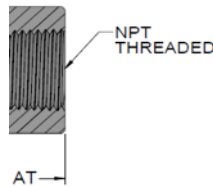


Bellows Seal Gate Valve Full Port



511 Series: Bolted Bonnet



515 Series: Welded Bonnet

STANDARDS	
DESIGN:	API 602 ASME B16.34
TESTING:	API 598
PRESSURE CLASS:	NPT, SW & BW - 800
CONNECTIONS:	NPT - ASME B1.20.1 SW - ASME B16.11 BW - ASME B16.25

STANDARD MATERIAL LIST	
Part Name	SPECIFICATION
Bellows	F316L / F321

SIZE		DIMENSIONS									WGT.(lb/kg)	
		AT/AS 800	B (Min)	C (Min)	D (Min)-NPT/ SW	EC-NPT/SW (501)	EO-NPT/SW (501)	EC-NPT/SW (505)	EO-NPT/SW (505)	H	NPT/SW (501)	NPT/SW (505)
1/4	Inch	3.11	0.39	0.56	0.30	8.90	9.49	9.17	9.76	3.94	7.05	6.83
	mm	79.0	10.0	14.2	7.5	226	241	233	248	100.0	3.2	3.1
3/8	Inch	3.11	0.39	0.69	0.39	8.90	9.49	9.17	9.76	3.94	7.05	6.83
	mm	79.0	10.0	17.6	10	226	241	233	248	100.0	3.2	3.1
1/2	Inch	3.11	0.39	0.86	0.51	8.90	9.49	9.17	9.76	3.94	6.83	6.61
	mm	79.0	10.0	21.8	13.0	226.0	241.0	233.0	248.0	100.0	3.1	3.0
3/4	Inch	4.37	0.51	1.07	0.71	10.39	11.22	10.71	11.50	4.72	11.68	11.46
	mm	111.0	13.0	27.2	18.0	264.0	285.0	272.0	292.0	120.0	5.3	5.2
1	Inch	4.72	0.51	1.33	0.94	13.94	15.16	13.94	15.16	6.30	22.27	21.83
	mm	120.0	13.0	33.9	24.0	354.0	385.0	354.0	385.0	160.0	10.1	9.9
1-1/2	Inch	5.51	0.51	1.92	1.44	16.14	17.72	16.14	17.72	8.66	32.41	31.97
	mm	140.0	13.0	48.8	36.5	410.0	450.0	410.0	450.0	220.0	14.7	14.5