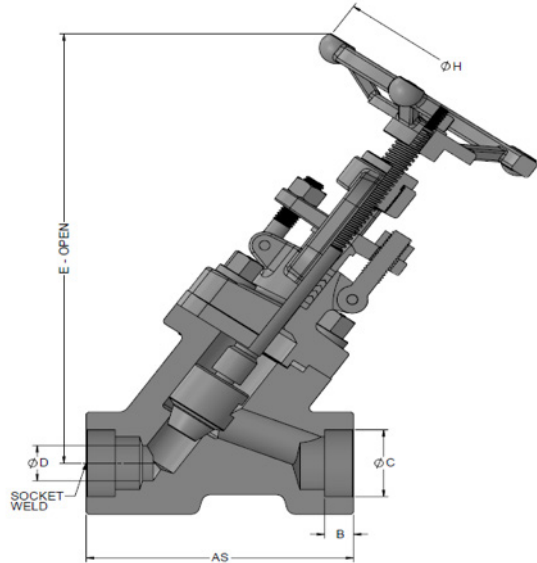
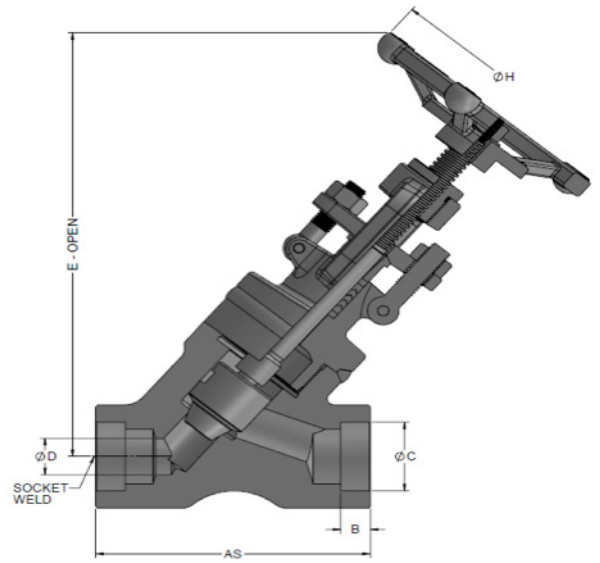
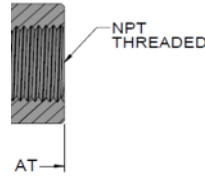


Y-Pattern Globe Valve Full Port



509 Series: Bolted Bonnet



512 Series: Welded Bonnet

STANDARDS			
DESIGN:	API 602	CONNECTIONS:	NPT - ASME B1.20.1
	MSS SP-118		SW - ASME B16.11
	ASME B16.34		BW- ASME B16.25
TESTING:	API 598		
PRESSURE CLASS:	NPT, SW & BW - 800, 1500		

DIMENSIONS												WG(T,(lb/kg)	
SIZE		AS/AT 509	AS/AT 512	B (Min)	C (Min)	D (Min)-NPT/ SW	EC-NPT/SW (509)	EO-NPT/SW (509)	EC-NPT/SW (512)	EO-NPT/SW (512)	H	NPT/SW (509)	NPT/SW (512)
1/4	Inch	3.86	3.74	0.39	0.56	0.27	6.77	7.17	6.50	6.77	3.94	6.17	5.29
	mm	98.0	95.0	10.0	14.2	6.8	172.0	182.0	165.0	172.0	100.0	2.8	2.40
3/8	Inch	3.86	3.74	0.39	0.69	0.37	6.77	7.17	6.50	6.77	3.94	6.17	5.29
	mm	98.0	95.0	10.0	17.6	9.5	172.0	182.0	165.0	172.0	100.0	2.8	2.40
1/2	Inch	3.86	3.74	0.39	0.86	0.49	6.77	7.17	6.50	6.77	3.94	5.95	5.07
	mm	98.0	95.0	10.0	21.8	12.5	172.0	182.0	165.0	172.0	100.0	2.7	2.30
3/4	Inch	4.72	4.72	0.51	1.07	0.69	8.58	9.29	8.27	8.54	4.72	10.58	9.04
	mm	120.0	120.0	13.0	27.2	17.5	218.0	236.0	210.0	217.0	120.0	4.8	4.10
1	Inch	5.51	5.51	0.51	1.33	0.89	9.65	10.04	10.08	10.55	6.30	14.99	13.67
	mm	140.0	140.0	13.0	33.9	22.5	245.0	255.0	256.0	268.0	160.0	6.8	6.20
1-1/4	Inch	5.51	5.51	0.51	1.68	1.12	10.31	10.79	10.08	10.55	6.30	18.74	16.75
	mm	140.0	140.0	13.0	42.7	28.5	262.0	274.0	256.0	268.0	160.0	8.5	7.60
1-1/2	Inch	6.50	7.09	0.51	1.92	1.40	13.46	13.86	11.50	12.13	8.66	30.86	26.23
	mm	165.0	180.0	13.0	48.8	35.5	342.0	352.0	292.0	308.0	220.0	14.0	11.90
2	Inch	8.66	8.86	0.65	2.41	1.75	13.58	14.37	12.48	13.19	8.66	48.50	40.56
	mm	220.0	225.0	16.5	61.2	44.5	345.0	365.0	317.0	335.0	220.0	22.0	18.40

DIMENSIONS - 1500												WG(T,(lb/kg)	
SIZE		AS/AT 509	AS/AT 512	B (Min)	C (Min)	D (Min)-NPT/ SW	EC-NPT/SW (509)	EO-NPT/SW (509)	EC-NPT/SW (512)	EO-NPT/SW (512)	H	NPT/SW (509)	NPT/SW (512)
1/2	Inch	4.72	4.72	0.39	0.86	0.37	8.66	8.94	7.99	8.66	4.72	10.80	9.92
	mm	120.0	120.0	10.0	21.8	9.5	220.0	227.0	203.0	220.0	120.0	4.9	4.50
3/4	Inch	5.51	5.51	0.51	1.07	0.59	9.84	10.31	9.76	9.84	6.30	15.65	14.33
	mm	140.0	140.0	13.0	27.2	15.0	250.0	262.0	248.0	250.0	160.0	7.1	6.50
1	Inch	5.51	5.51	0.51	1.33	0.79	10.51	10.98	10.12	10.51	6.30	19.62	17.64
	mm	140.0	140.0	13.0	33.9	20.0	267.0	279.0	257.0	267.0	160.0	8.9	8.00
1-1/4	Inch	6.50	7.09	0.51	1.68	1.02	12.20	12.80	12.05	12.20	8.66	33.07	34.17
	mm	165.0	180.0	13.0	42.7	26.0	310.0	325.0	306.0	310.0	220.0	15.0	15.50
1-1/2	Inch	8.66	8.86	0.51	1.92	1.12	13.58	14.37	12.48	13.58	8.66	48.50	48.50
	mm	220.0	225.0	13.0	48.8	28.5	345.0	365.0	317.0	345.0	220.0	22.0	22.00
2	Inch	8.66	8.86	0.65	2.41	1.44	13.58	14.37	12.48	13.58	8.66	48.50	48.50
	mm	220.0	225.0	16.5	61.2	36.5	345.0	365.0	317.0	345.0	220.0	22.0	22.00