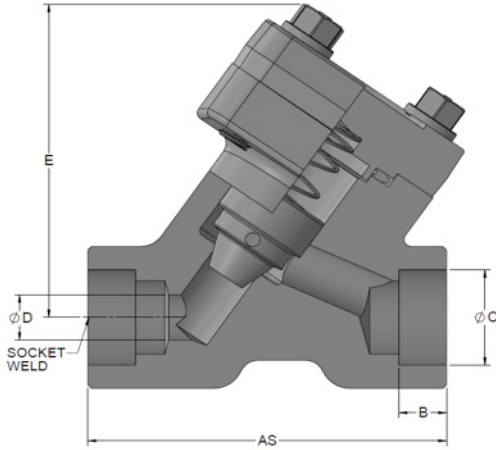
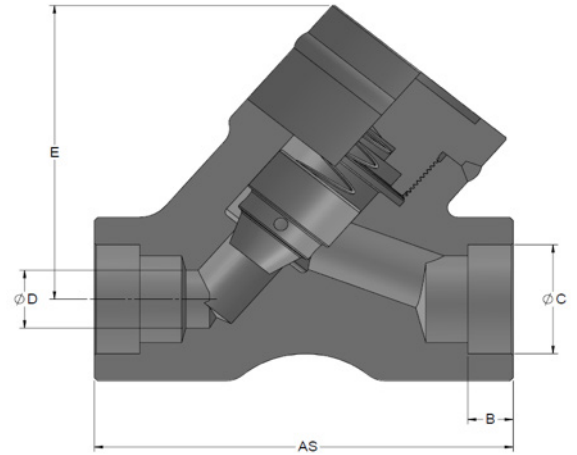


Y-Pattern Piston Check Valve Full Port



510 Series: Bolted Bonnet



513 Series: Welded Bonnet

STANDARDS				
DESIGN:	API 602	PRESSURE CLASS:	NPT, SW & BW - 800, 1500	
	MSS SP-118		CONNECTIONS:	NPT - ASME B1.20.1
	ASME B16.34			SW - ASME B16.11
TESTING:	API 598		BW - ASME B16.25	

DIMENSIONS									WGT.(lb/kg)	
SIZE		AS [510]	AS [513]	B [Min]	C [Min]	D(Min)-SW	E-SW [510]	E-SW [513]	SW [510]	SW [513]
1/4	Inch	3.86	3.74	0.39	0.56	0.27	3.62	2.76	3.09	3.97
	mm	98.0	95.0	10.0	14.2	6.8	92.0	70.0	1.40	1.80
3/8	Inch	3.86	3.74	0.39	0.69	0.37	3.62	2.76	3.09	3.97
	mm	98.0	95.0	10.0	17.6	9.5	92.0	70.0	1.40	1.80
1/2	Inch	3.86	4.37	0.39	0.86	0.49	3.62	3.23	2.87	3.75
	mm	98.0	111.0	10.0	21.8	12.5	92.0	82.0	1.30	1.70
3/4	Inch	4.72	4.72	0.51	1.07	0.69	4.33	3.62	7.72	6.83
	mm	120.0	120.0	13.0	27.2	17.5	110.0	92.0	3.50	3.10
1	Inch	5.51	5.51	0.51	1.33	0.89	4.92	4.53	9.70	9.70
	mm	140.0	140.0	13.0	33.9	22.5	125.0	115.0	4.40	4.40
1-1/4	Inch	5.51	5.51	0.51	1.68	1.12	5.31	4.92	13.89	13.89
	mm	140.0	140.0	13.0	42.7	28.5	135.0	125.0	6.30	6.30
1-1/2	Inch	6.50	7.09	0.51	1.92	1.40	5.51	5.31	24.03	21.16
	mm	165.0	180.0	13.0	48.8	35.5	140.0	135.0	10.90	9.60
2	Inch	8.66	8.86	0.65	2.41	1.75	6.69	5.91	39.02	36.38
	mm	220.0	225.0	16.5	61.2	44.5	170.0	150.0	17.70	16.50

DIMENSIONS -1500									WGT.(lb/kg)	
SIZE		AS [510]	AS [513]	B [Min]	C [Min]	D(Min)-SW	E-SW [510]	E-SW [513]	SW [510]	SW [513]
1/2	Inch	4.72	4.72	0.39	0.86	0.37	3.62	3.23	8.60	7.50
	mm	120.0	120.0	10.0	21.8	9.5	92.0	82.0	3.90	3.40
3/4	Inch	5.51	5.51	0.51	1.07	0.59	4.41	3.62	9.92	10.14
	mm	140.0	140.0	13.0	27.2	15.0	112.0	92.0	4.50	4.60
1	Inch	5.51	5.51	0.51	1.33	0.79	4.92	4.53	14.33	14.33
	mm	140.0	140.0	13.0	33.9	20.0	125.0	115.0	6.50	6.50
1-1/4	Inch	6.50	7.09	0.51	1.68	1.02	5.51	5.31	26.46	24.25
	mm	165.0	180.0	13.0	42.7	26.0	140.0	135.0	12.00	11.00
1-1/2	Inch	8.66	8.86	0.51	1.92	1.12	6.69	5.91	39.68	37.48
	mm	220.0	225.0	13.0	48.8	28.5	170.0	150.0	18.00	17.00
2	Inch	8.66	8.86	0.65	2.41	1.44	6.69	5.91	39.24	36.60
	mm	220.0	225.0	16.5	61.2	36.5	170.0	150.0	17.80	16.60